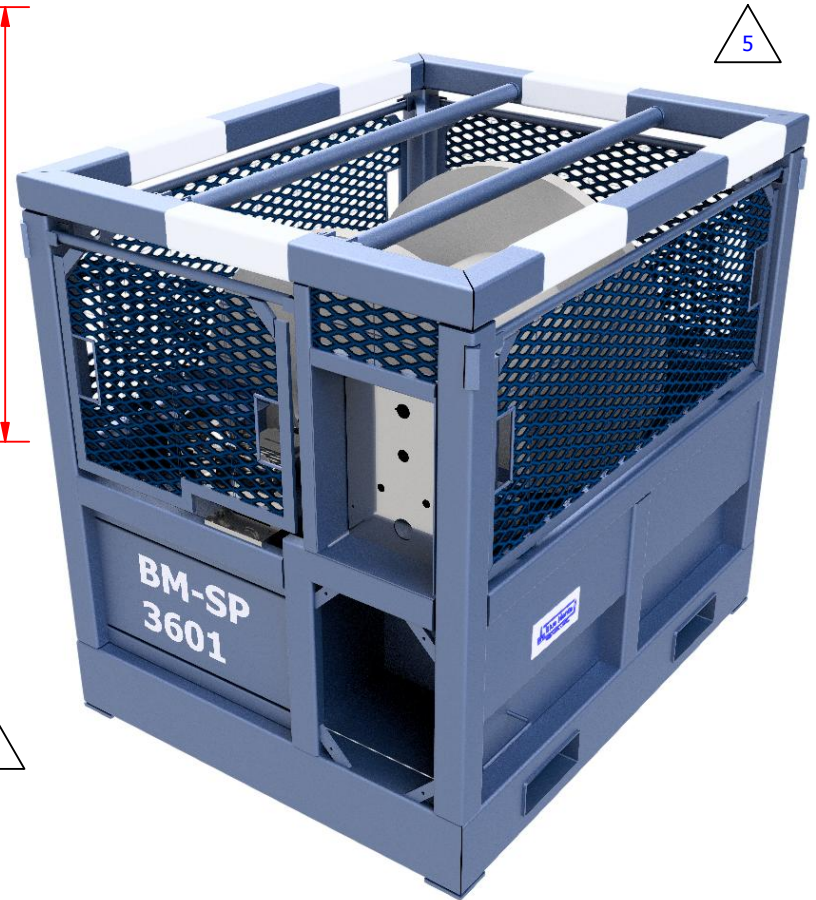
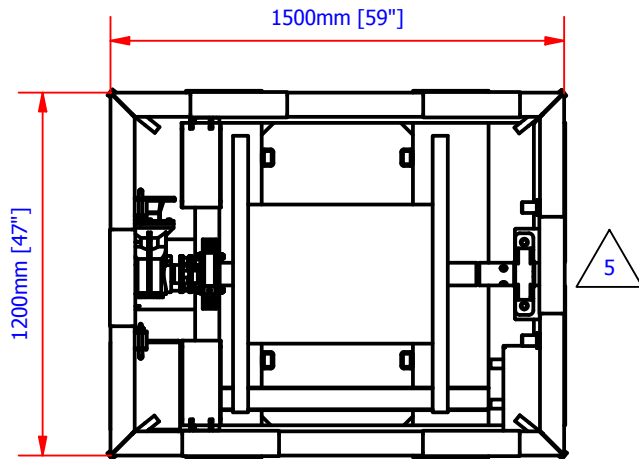
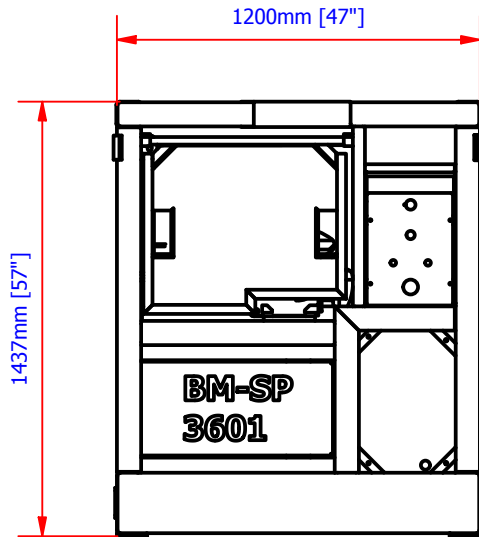
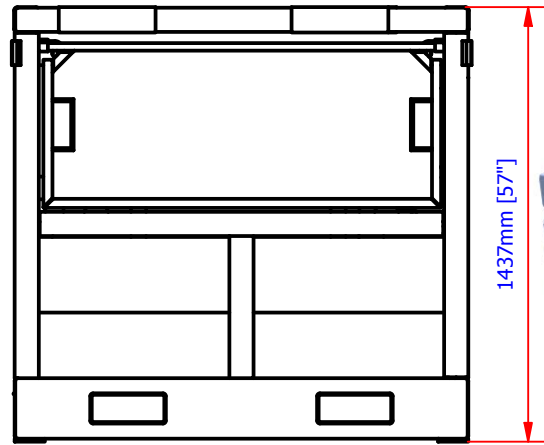
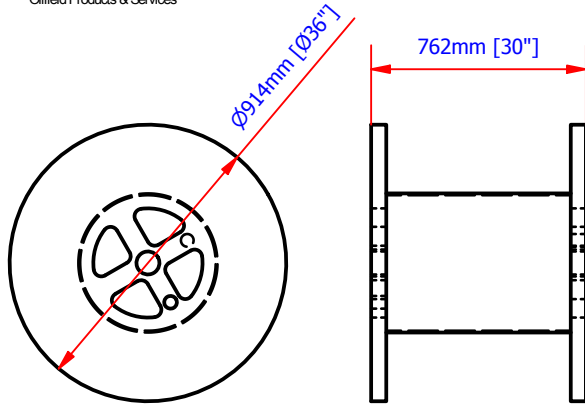


REVISION HISTORY							
REV	BY	DESCRIPTION	DATE	CHKD	APPR	EXT APP	CL APP
4	RG	Changed to direct drive , Arvis bearing fitted.	12.05.18	RG	IH	N/A	N/A



Max Drum: 36" Dia x 30" W, 3" Shaft

Notes:
Design Standard DNV 2.7-1
Model Number: 02-3600
Tare: 700 kg
S.W.L: 1,300 kg
Gross: 2,000 kg

This drawing is copyright© and is the property of Blue Manta International, and must not be reproduced or used without the express permission of Blue Manta International.	General tolerances UNO Steel fabrications: $\pm 3.00\text{mm}$ Machining: $\pm 0.25\text{mm}$ Concentric: $\pm 0.05\text{mm}$ Angular: $\pm 30\text{mins}$	Machined corner rads. Inside: $\pm 0.50\text{mm}$ UNO Outside: $\pm 0.65\text{mm}$ UNO
Part no: 02-3600	Drawing No: BMD-819.S	
Client: Bluemanta	Scale: NTS @ A4	

