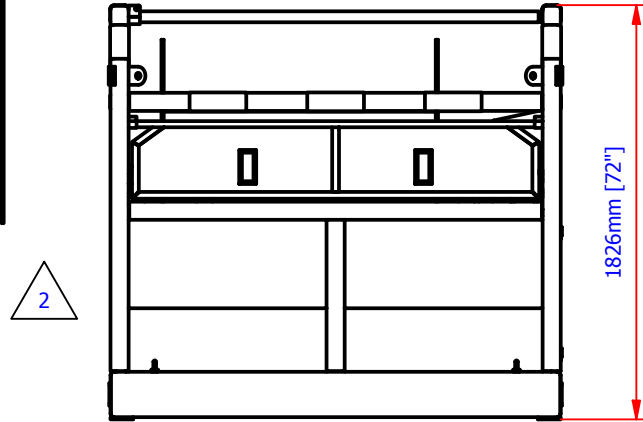
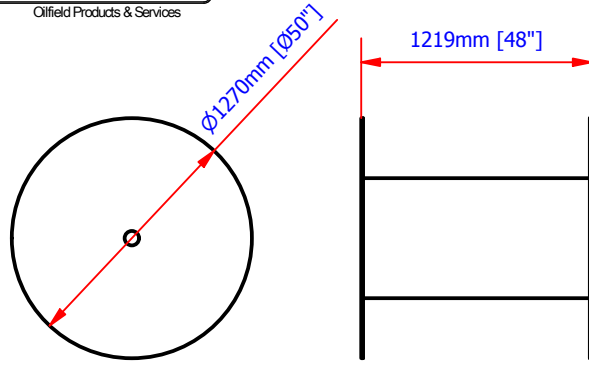
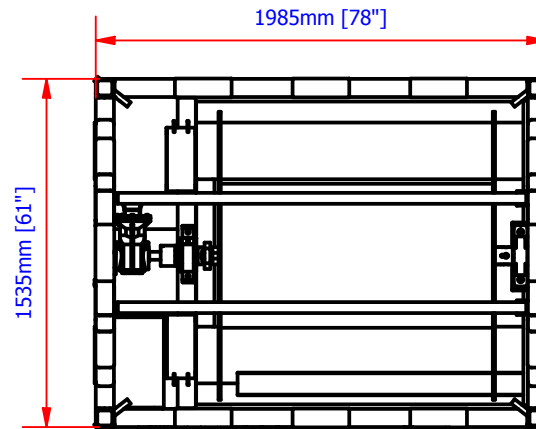
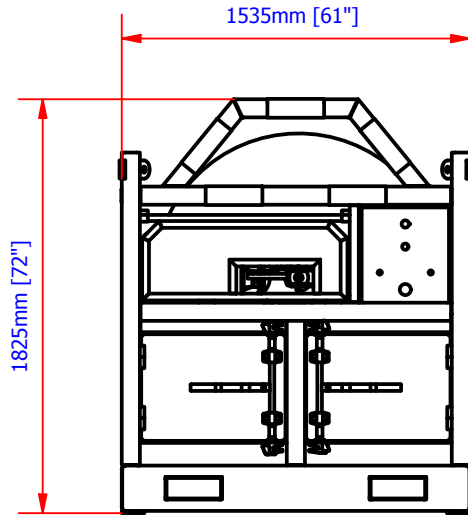
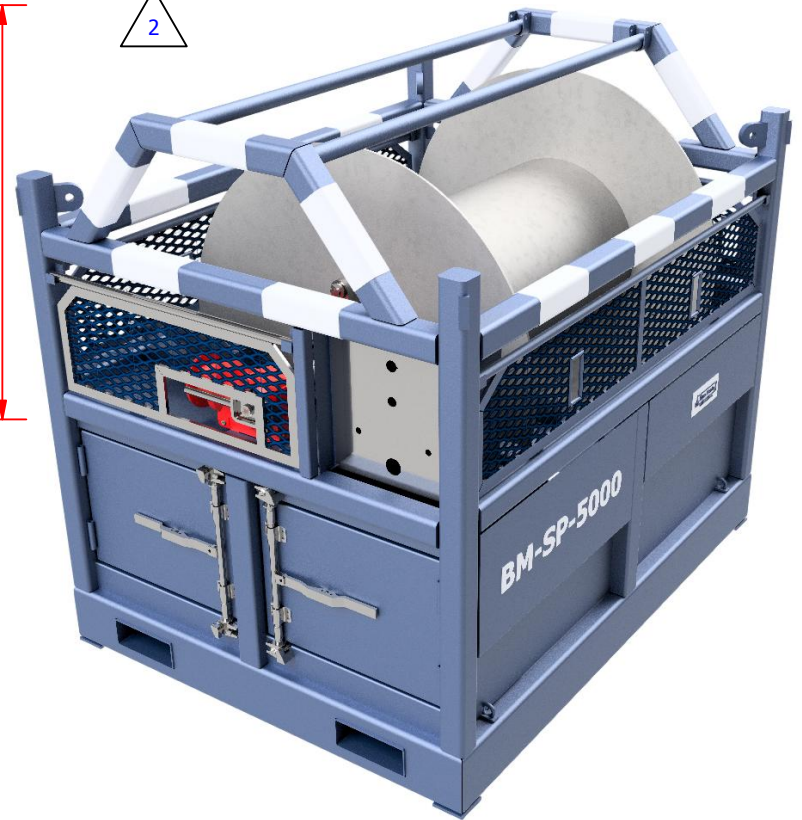


REVISION HISTORY						
REV	BY	DESCRIPTION	DATE	CHKD	APPR	EXT APP
2	DB	Changed Position of Pendant Control Connections, Updated Showcase to match	08.04.16	DB	IH	N/A



2



**MAX DRUM - 50" DIA x 48" WIDE - 3" SHAFT**

**Notes:**  
 Design Standard DNV 2.7-1  
 Model Number: 02-5000  
 Tare : 1,200 Kg  
 S.W.L : 5,000 Kg  
 Gross : 6,200 Kg

This drawing is copyright© and is the property of Blue Manta International, and must not be reproduced or used without the express permission of Blue Manta International.		General tolerances UNO Steel fabrications: ± 3.00mm Machining: ± 0.25mm Concentric: ± 0.05mm Angular: ± 30mins	Machined corner rads. Inside: ± 0.50mm UNO Outside: ± 0.65mm UNO
Description: <b>50" Direct Drive Spooling Unit</b>			
Part no:	<b>02-5000</b>	Drawing No:	<b>BMD-1163.S</b>
Client:	<b>Blue Manta</b>	Scale:	<b>NTS @ A4</b>

