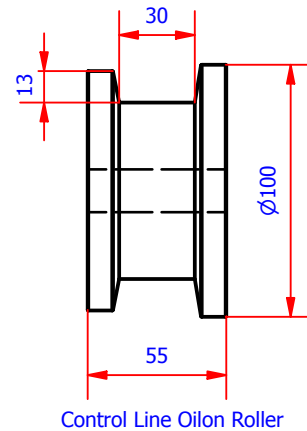
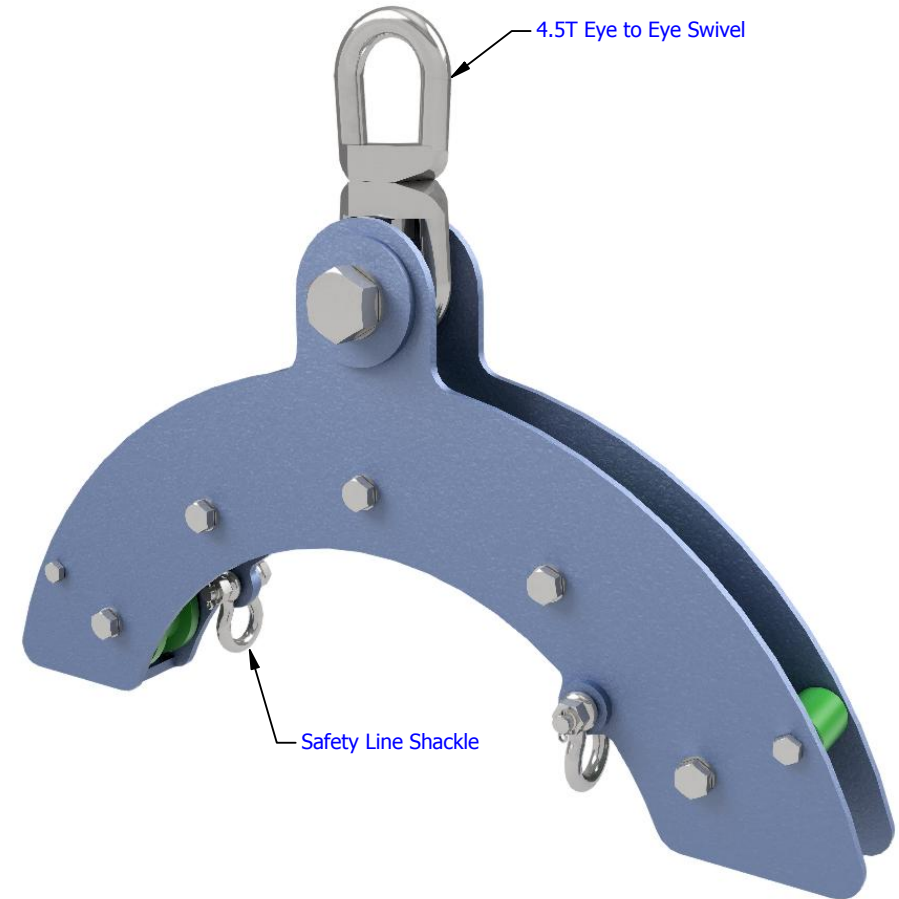
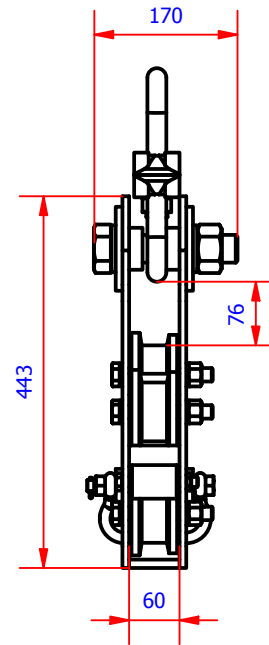
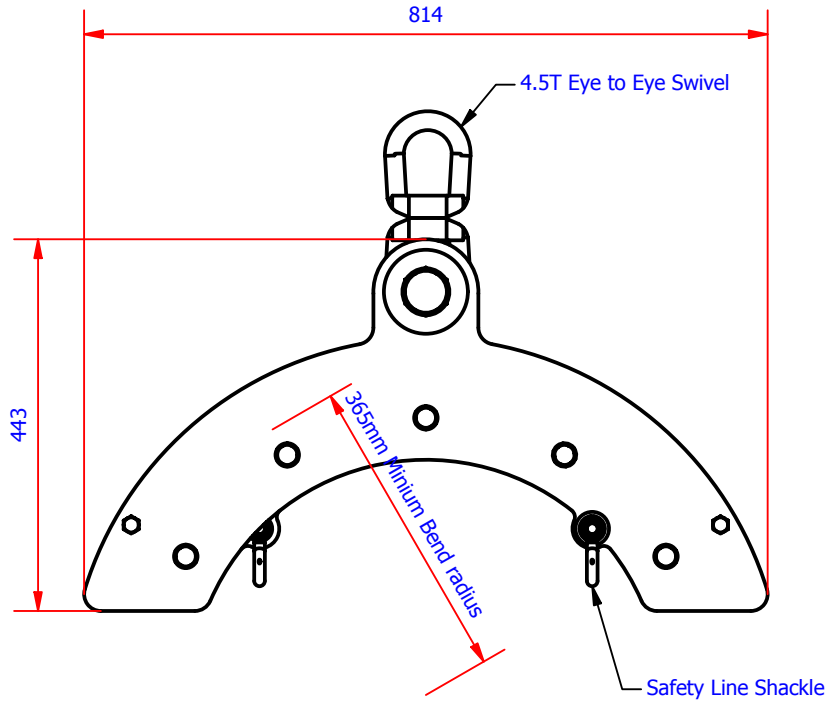
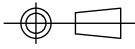


REVISION HISTORY

REV	BY	DESCRIPTION	DATE	CHKD	APPR	EX APP	CL APP
1	BR	-	14.01.11	IH	NH	N/A	N/A



**Notes**  
 Design Standard DNV 2.22 and Lloyds LAME  
 Model Number: 03-0204  
 Connected to rig via 4.54T Eye to Eye Swivel  
 Tare Weight: 30kg  
 Max Line Pull 2T  
 Max Head Pull 4T

This drawing is copyright© and is the property of Blue Manta International, and must not be reproduced or used without the express permission of Blue Manta International.	General tolerances UNO Steel fabrications: ± 3.00mm Machining: ± 0.25mm Concentric: ± 0.05mm Angular: ± 0.05mm	Machined corner rads. Inside: ± 0.50mm UNO Outside: ± 0.65mm UNO
Part no: 03-0204 Sheave	Drawing No: BMD-302.S	 Third angle projection
Client: Bluemanta	Scale: NTS @ A4	