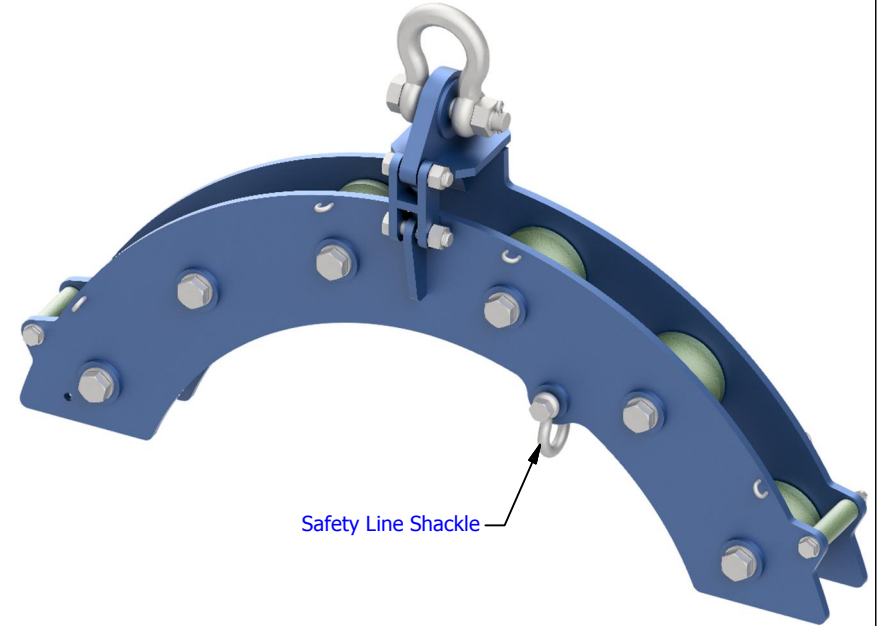
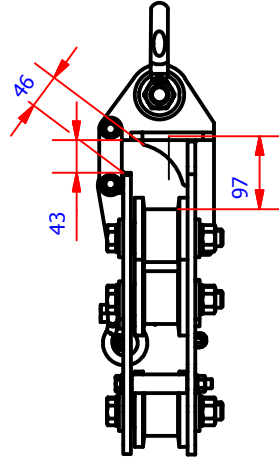
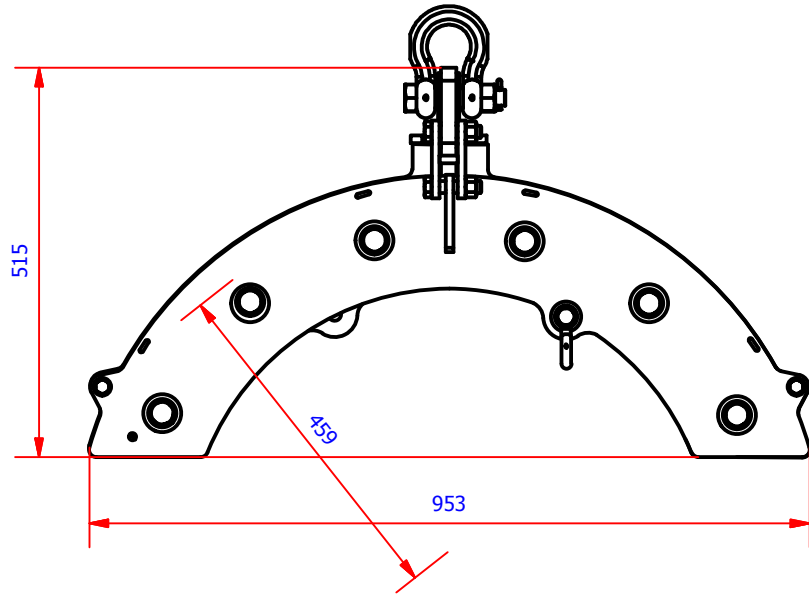
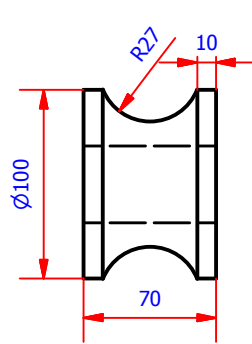


REVISION HISTORY

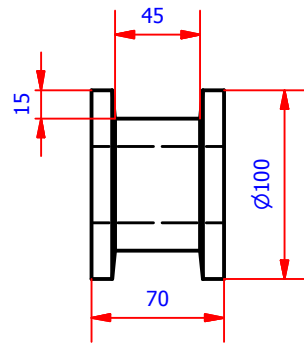
| REV | BY | DESCRIPTION | DATE | CHKD | APPR | EX APP | CL APP |
|-----|----|-----------------------------------|----------|------|------|--------|--------|
| 1 | BR | - | 14.01.11 | IH | NH | - | - |
| 2 | DB | Added Umbilical roller to drawing | 04.11.14 | DB | NH | | |



Safety Line Shackle

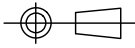


Umbilical Oilon Roller



Control Line Oilon Roller

Notes
 Design Standard DNV 2.22 and Lloyds CLAME
 Model Number: 03-0306
 Connected to rig via 6.5T Shackle (Eye to Eye Swivel Optional Extra)
 Tare: 65kgs
 Max Line Pull 3T
 Max Head Pull 6T

| | | | |
|--|-----------------------|--|--|
| This drawing is copyright© and is the property of Blue Manta International, and must not be reproduced or used without the express permission of Blue Manta International. | | General tolerances UNO Steel fabrications: ± 3.00mm Machining: ± 0.25mm Concentric: ± 0.05mm Angular: ± 0.05mm | Machined corner rads. Inside: ± 0.50mm UNO Outside: ± 0.65mm UNO |
| Description: 3t 6t Sheave | |  Third angle projection | |
| Part no: 03-0306 | Drawing No: ELD-256.S | | |
| Client: Blue Manta | Scale: NTS @ A4 | | |