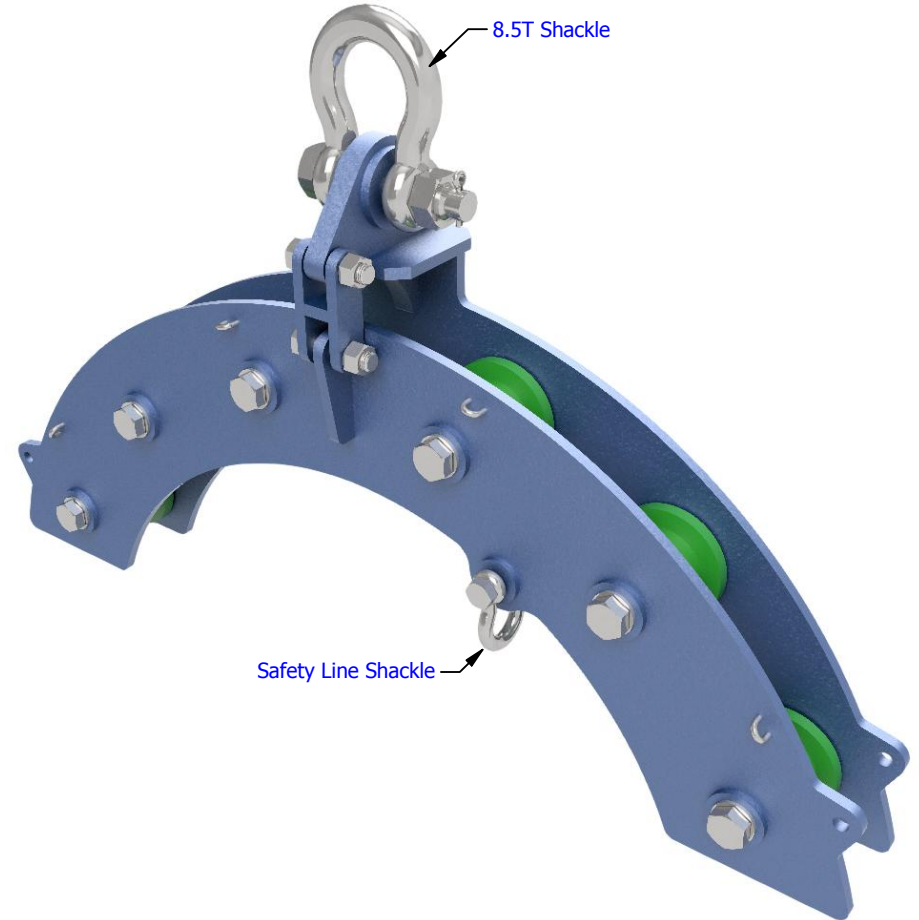
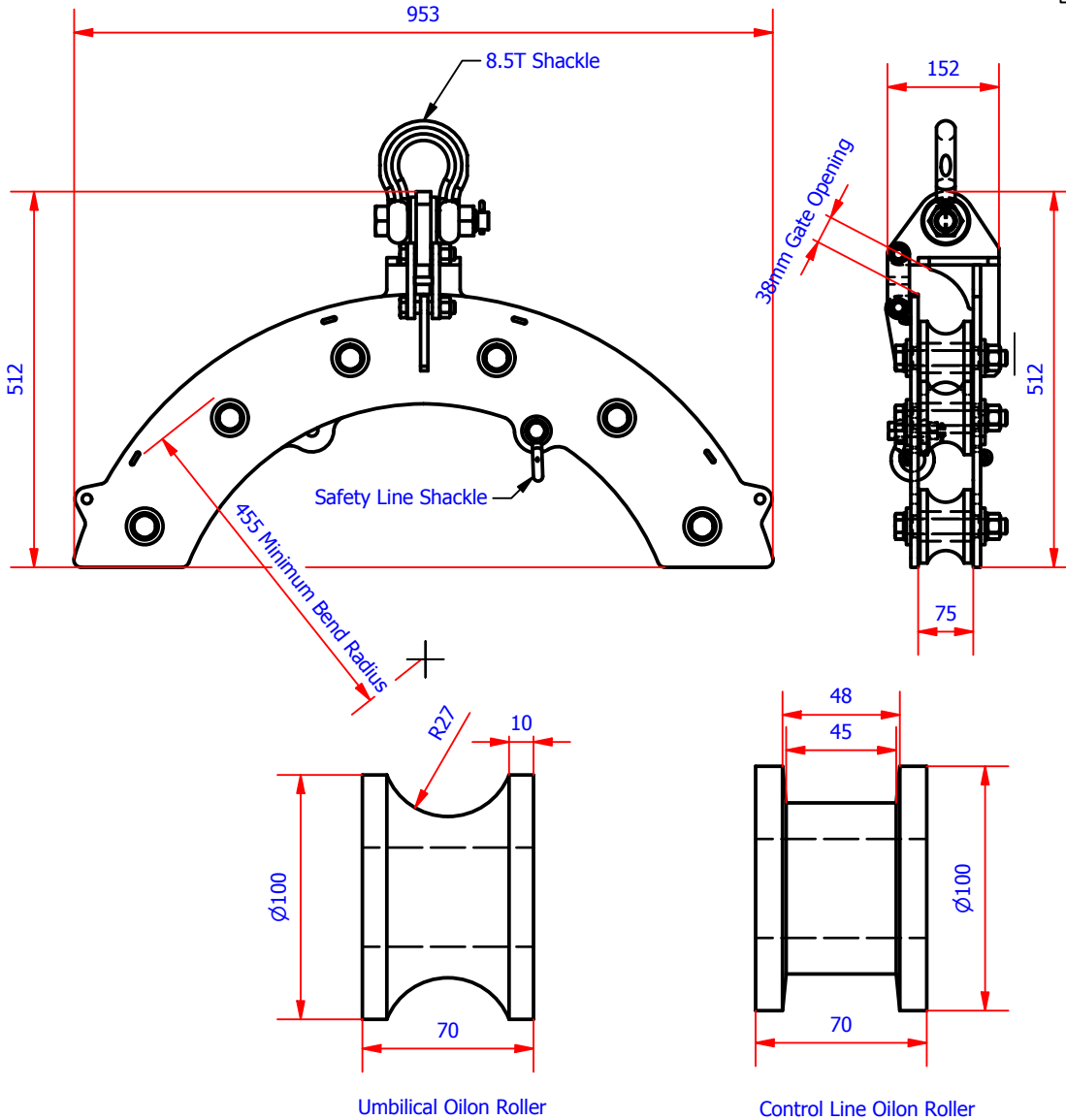


REVISION HISTORY							
REV	BY	DESCRIPTION	DATE	CHKD	APPR	EX APPR	CL APPR
1	DB	-	18.02.16	DB	NH	N/A	N/A



Notes  
 Design Standard DNV 2.22 and Lloyds LAME  
 Model Number: 03-0408  
 Connected to rig via 8.5T Shackle (Eye to Eye Swivel Optional Extra)  
 Tare: 65kgs  
 Max Line Pull 4T  
 Max Head Pull 8T

This drawing is copyright© and is the property of Blue Manta International, and must not be reproduced or used without the express permission of Blue Manta International.		General tolerances UNO Steel fabrications: $\pm 3.00\text{mm}$ Machining: $\pm 0.25\text{mm}$ Concentric: $\pm 0.05\text{mm}$ Angular: $\pm 0.05\text{mm}$	Machined corner rads. Inside: $\pm 0.50\text{mm UNO}$ Outside: $\pm 0.65\text{mm UNO}$
Description: 4T 8T Sheave			 Third angle projection
Part no: 03-0408	Drawing No: BMD-1526.S		
Client: Bluemanta	Scale: NTS @ A4		