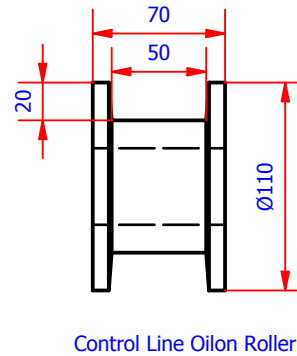
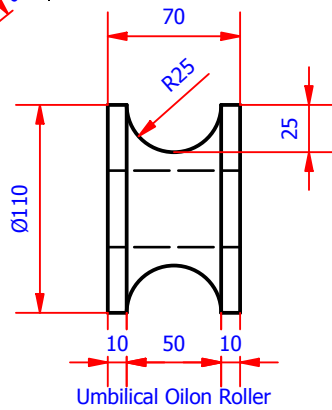
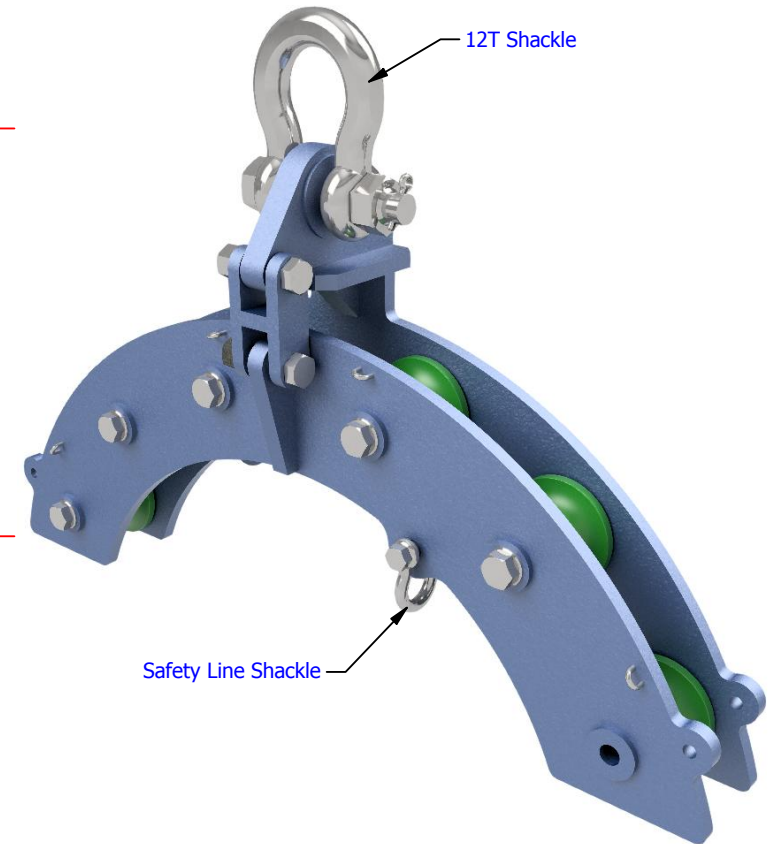
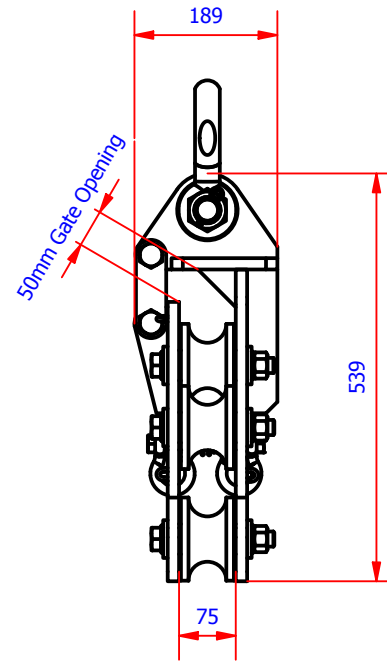
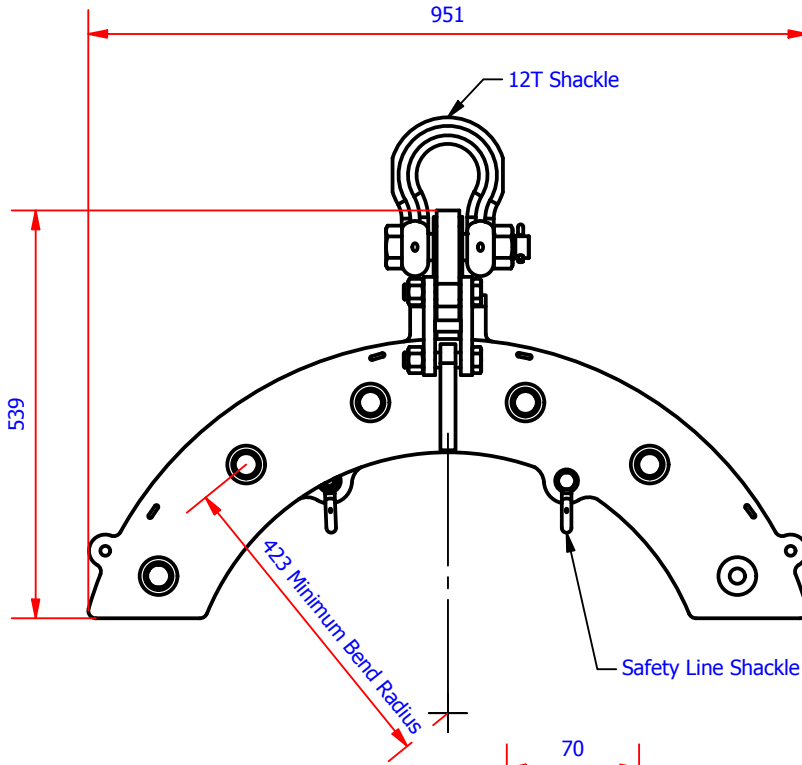


REVISION HISTORY

REV	BY	DESCRIPTION	DATE	CHKD	APPR	EXT APP	CL APP
1	DB	-	22.05.15	DB	NH	N/A	N/A



Notes:  
 Design Standard DNV 2.22 and Lloyds LAME  
 Model Number: 03-0510  
 Connected to rig via 12T shackle (Eye to Eye Swivel Optional Extra)  
 Tare Weight: 65kg  
 Max Line Pull: 5T  
 Max Head Pull: 10T

This drawing is copyright© and is the property of Blue Manta International, and must not be reproduced or used without the express permission of Blue Manta International.	General tolerances UNO Steel fabrications: ± 3.00mm Machining: ± 0.25mm Concentric: ± 0.05mm Angular: ± 30mins	Machined corner rads. Inside: ± 0.50mm UNO Outside: ± 0.65mm UNO
	Description: <b>5T 10T Sheave</b>	

Part no: <b>03-0510</b>	Drawing No: <b>BMD-256.S4</b>	<p>Third Angle Projection</p>
Client: <b>Bluemanta</b>	Scale: <b>NTS @ A4</b>	