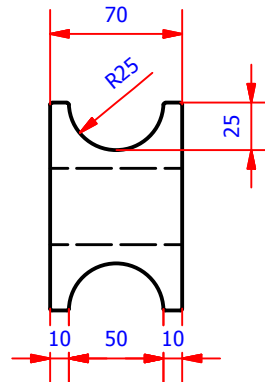
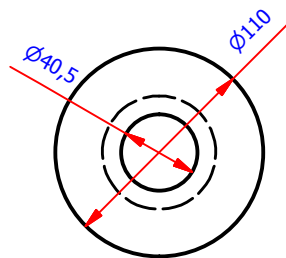
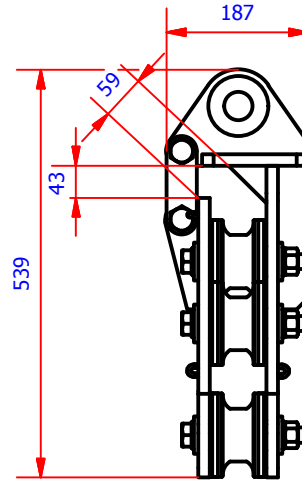
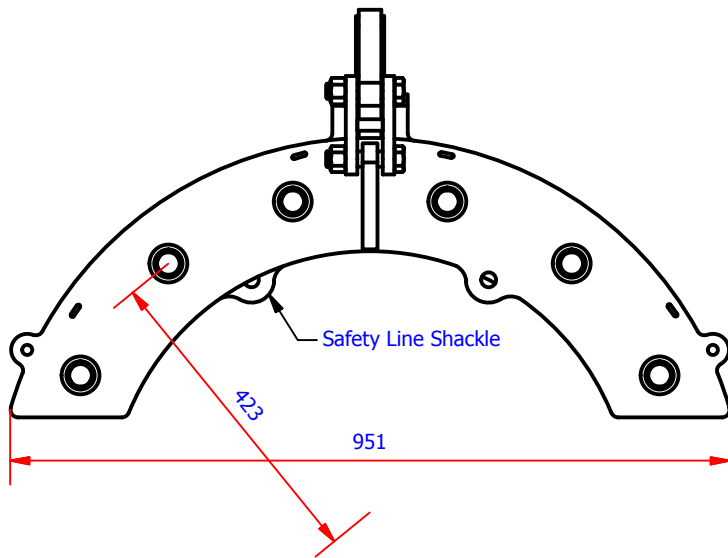


REVISION HISTORY

REV	BY	DESCRIPTION	DATE	CHKD	APPR	EXT AP	CL APP
1	DB	-	22.05.15				



FOR REFERENCE ONLY

Notes:
 Design Standard DNV 2.22 and Lloyds CLAME
 Model Number: 03-0510
 Connected to rig via 12T shackle (Eye to Eye Swivel Optional Extra)
 Tare Weight: 75kg
 Max Line Pull: 5T
 Max Head Pull: 10T

This drawing is copyright© and is the property of Blue Manta International, and must not be reproduced or used without the express permission of Blue Manta International.		General tolerances UNO Steel fabrications: $\pm 3.00\text{mm}$ Machining: $\pm 0.25\text{mm}$ Concentric: $\pm 0.05\text{mm}$ Angular: $\pm 30\text{mins}$		Machined corner rads. Inside: $\pm 0.50\text{mm UNO}$ Outside: $\pm 0.65\text{mm UNO}$	
Description: 5T 10T Sheave					
Part no: -			Drawing No: BMD-256.S4		
Client: Blue Manta			Scale: NTS @ A4		
					<p>Third Angle Projection</p>