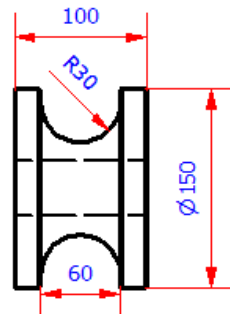
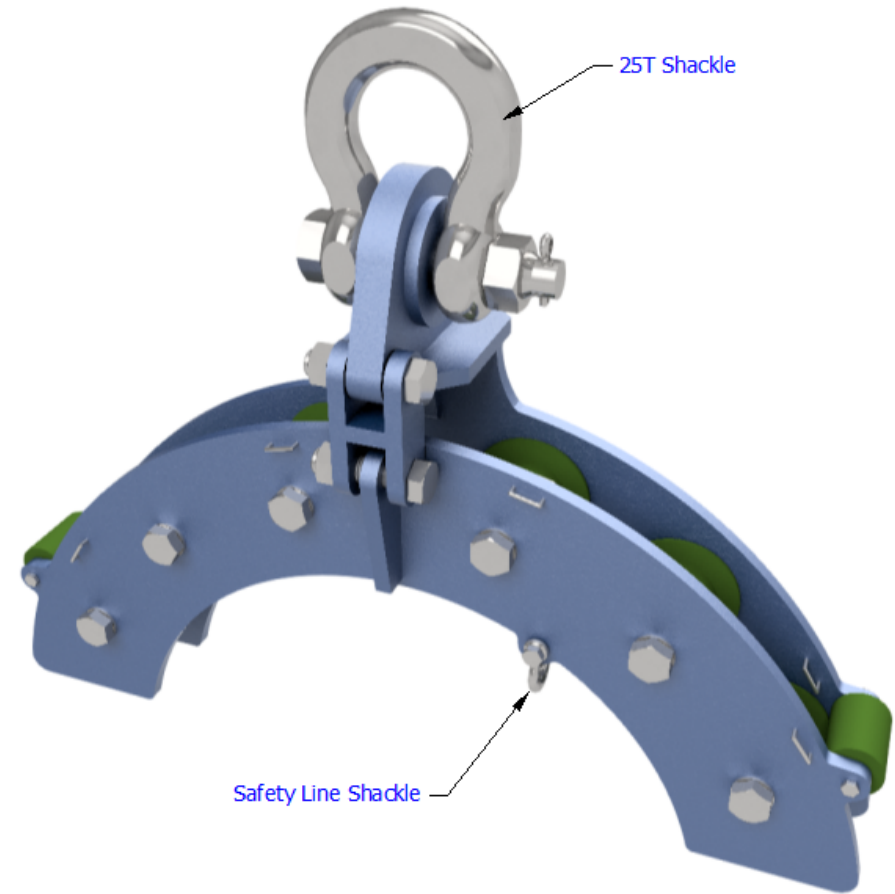
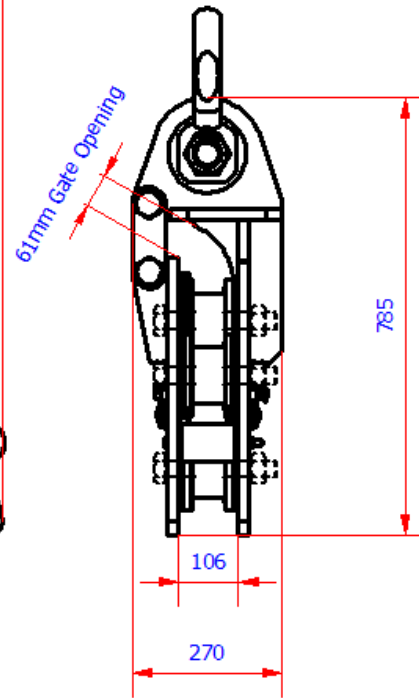
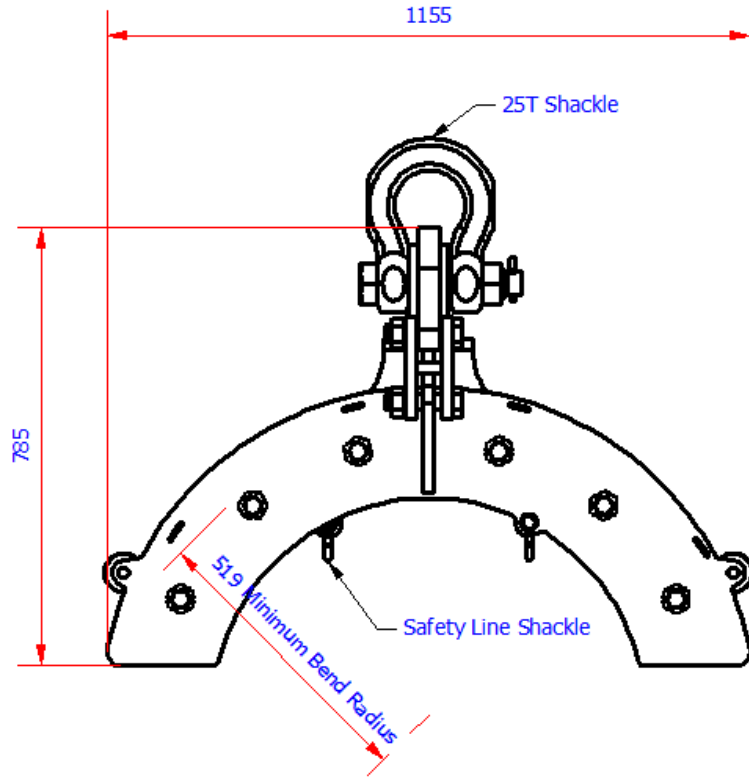
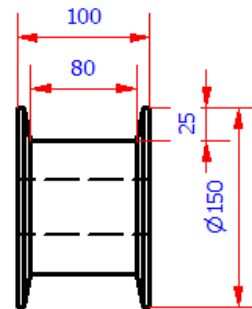


REVISION HISTORY

REV	BY	DESCRIPTION	DATE	CHKD	APPR	EXT APP	CL APP
1	BR	-	07.08.09	BR	NH	N/A	N/A



Umbilical Oilon Roller



Control Line Oilon Roller

Notes:
Design Standard DNV 2.22 and Lloyds LAME
Model number: 03-1020
Connected to rig via 25T Shackle (Eye to Eye Swivel Optional Extra)
Tare weight: 180Kgs
Max line pull 10Ton
Max head pull 20Ton

This drawing is copyright® and is the property of Blue Manta International, and must not be reproduced or used without the express permission of Blue Manta International.	General tolerances UNO Steel fabrications: ± 3.00mm Machining: ± 0.25mm Concentric: ± 0.05mm Angular: ± 0.05mm	Machined corner rads. Inside: ± 0.50mm UNO Outside: ± 0.65mm UNO
Part no: 03-1020	Drawing No: BMD-242.S	
Client: Bluemanta	Scale: NTS @ A4	