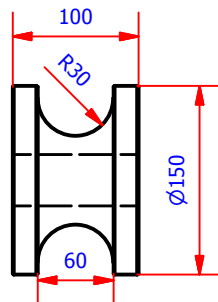
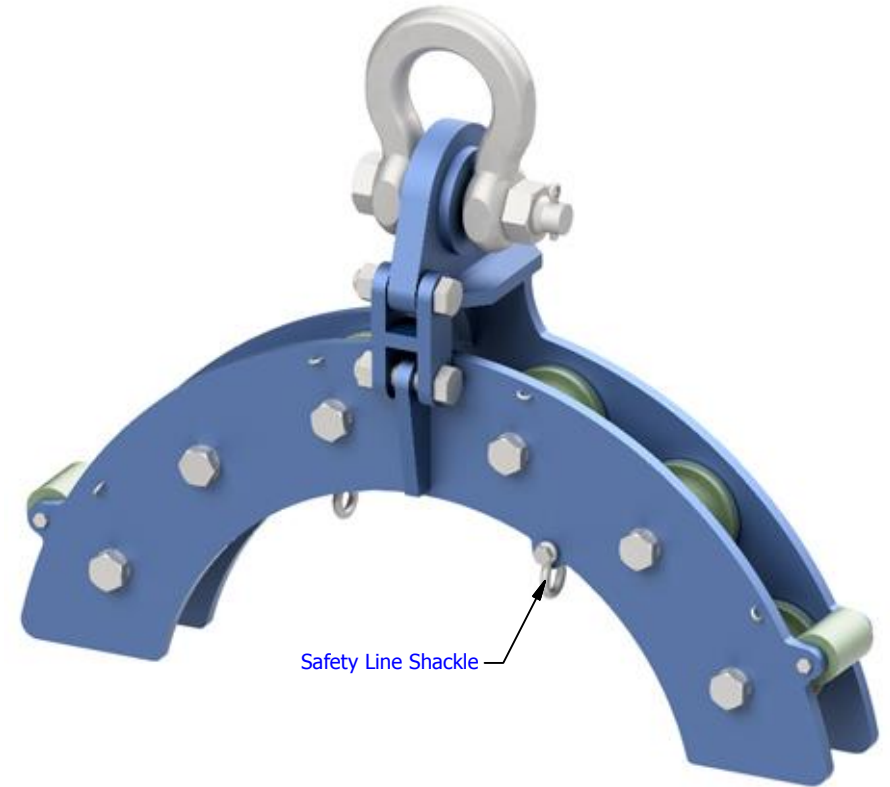
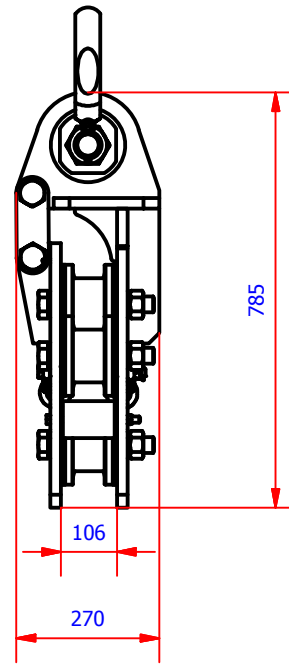
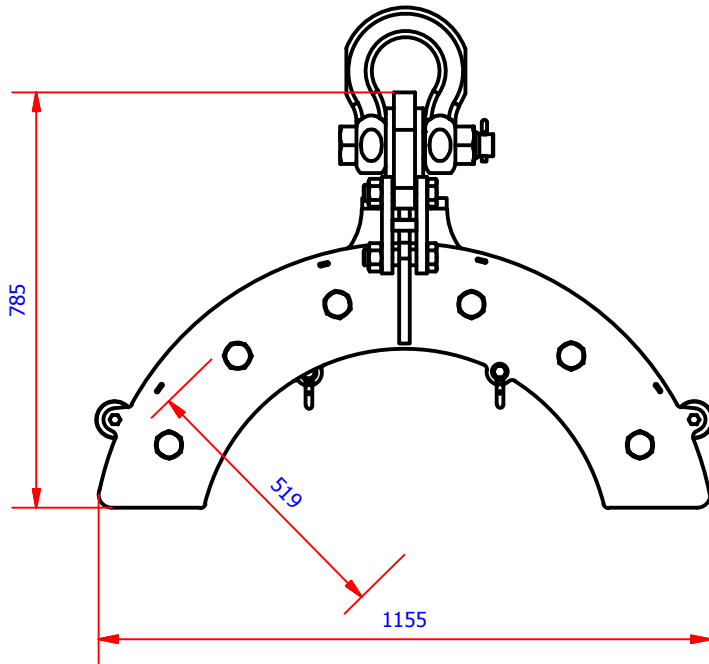
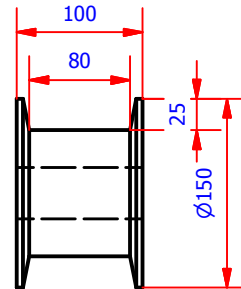


REVISION HISTORY

REV	BY	DESCRIPTION	DATE	CHKD	APPR	EXT AP	CL APP
1	BR	-	07.08.09	BR	NH	-	-

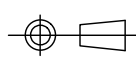


Umbilical Oilon Roller



Control Line Oilon Roller

Notes:
 Design Standard DNV 2.22 and Lloyds CLAME
 Model number: 03-1020
 Connected to rig via 25T Shackle (Eye to Eye Swivel Optional Extra)
 Tare weight: 180Kgs
 Max line pull 10Ton
 Max head pull 20Ton

This drawing is copyright© and is the property of Blue Manta International, and must not be reproduced or used without the express permission of Blue Manta International.		General tolerances UNO Steel fabrications: ± 3.00mm Machining: ± 0.25mm Concentric: ± 0.05mm Angular: ± 0.05mm	Machined corner rads. Inside: ± 0.50mm UNO Outside: ± 0.65mm UNO
Description: 03-1020 Sheave			 Third Angle Projection
Part no: 03-1020	Drawing No: BMD-242.S		
Client: Blue Manta	Scale: 1:15 @ A4		