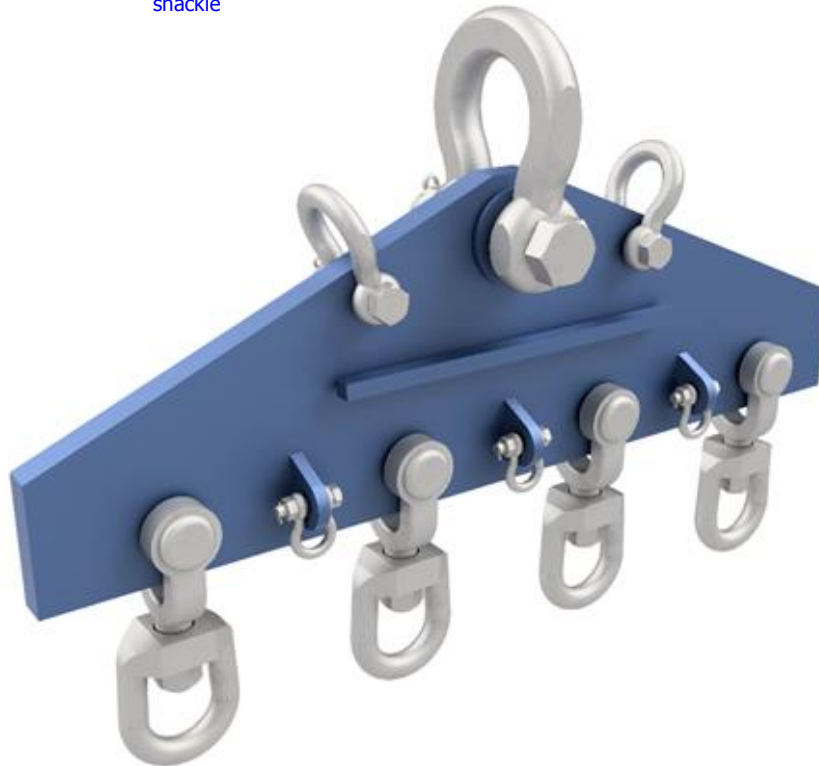
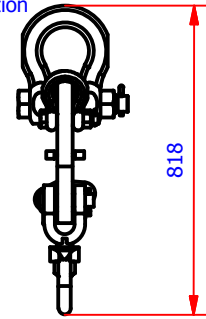
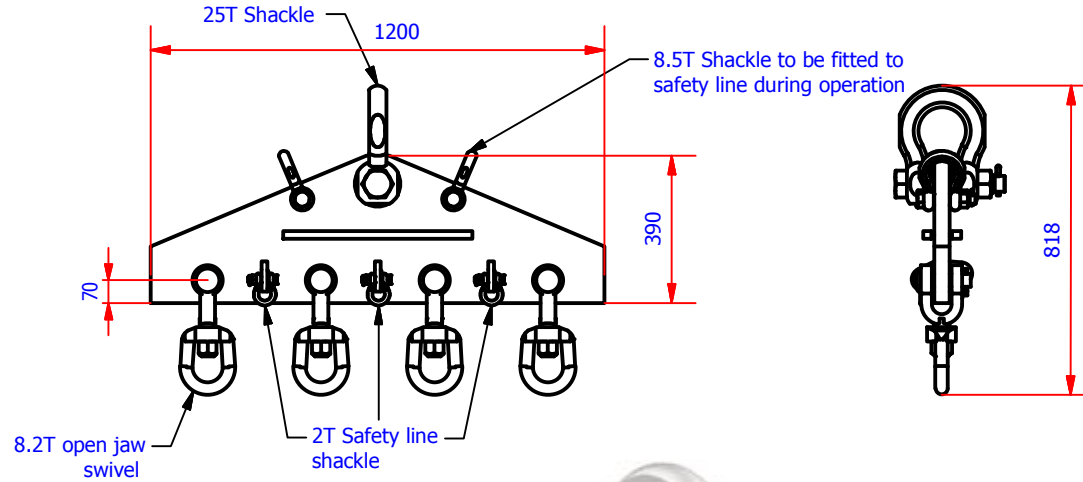
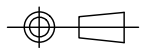


REVISION HISTORY

REV	BY	DESCRIPTION	DATE	CHKD	APPR	EXT AP	CL APP
1	CA	-	13.05.13	CA	BR	-	-



Notes:
Built as per DNV 2.22 and Lloyds L.A.M.E. Ch 3
Tare weight: 110kgs
Max Load: 24 ton (6 ton per bottom hole)
Part Number: 03-SB24-4

<p>This drawing is copyright© and is the property of Blue Manta International, and must not be reproduced or used without the express permission of Blue Manta International.</p>	<p>General tolerances UNO Steel fabrications: ± 3.00mm Machining: ± 0.25mm Concentric: ± 0.05mm Angular: ± 0.05mm</p>	<p>Machined corner rads. Inside: ± 0.50mm UNO Outside: ± 0.65mm UNO</p>	
<p>Description: 24T SWL Spreader Beam</p>			 Third Angle Projection
<p>Part no: 03-SB24-4</p>	<p>Drawing No: BMD-690.S1</p>		
<p>Client: Blue Manta</p>	<p>Scale: NTS@A4</p>		