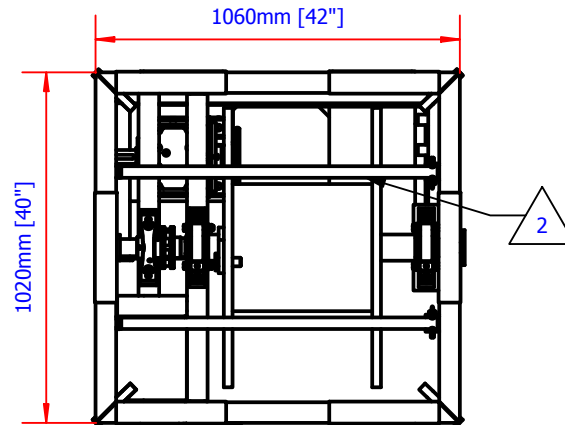
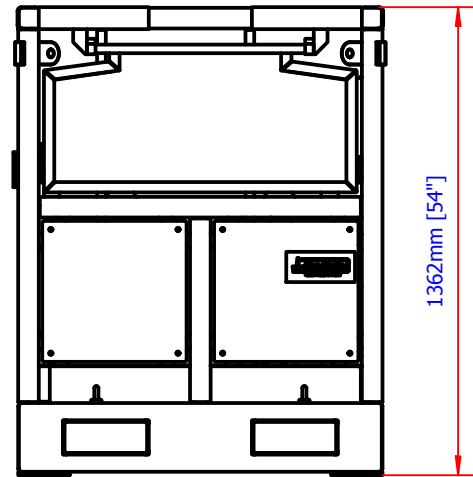
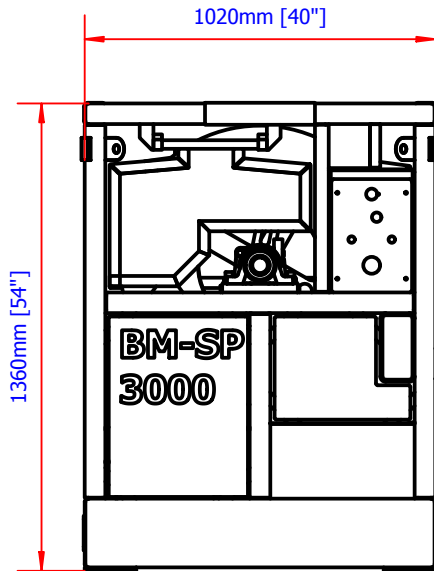
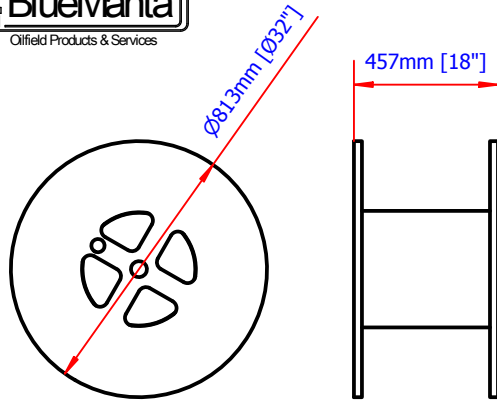


REVISION HISTORY

REV	BY	DESCRIPTION	DATE	CHKD	APPR	EX APP	CL APP
2	DB	Roof Bars Turned 90 Degrees to allow more room for drum	28.04.15	RG	IH	N/A	N/A



Max Drum: 32" Dia x 18" W, 3" Shaft

**Notes:**  
 Design Standard DNV 2.7-1  
 Model Number: 02-3000  
 Tare : 600 Kg  
 S.W.L : 900 Kg  
 Gross : 1,500 Kg

This drawing is copyright© and is the property of Blue Manta International, and must not be reproduced or used without the express permission of Blue Manta International.		General tolerances UNO Steel fabrications: ± 3.00mm Machining: ± 0.25mm Concentric: ± 0.05mm Angular: ± 0.05mm	Machined corner rads. Inside: ± 0.50mm UNO Outside: ± 0.65mm UNO
Description: 30" Spooling Unit	Part no: 02-3000	<p>Third angle projection</p>	Sheet number: 1 of 1
Drawing No: BMD-763.S	Rev no: 2		
Client: Blue Manta	Scale: NTS @ A4		
Drawn by : Daniel Barclay	Date : 07.10.14		