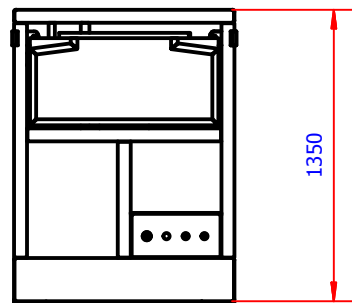
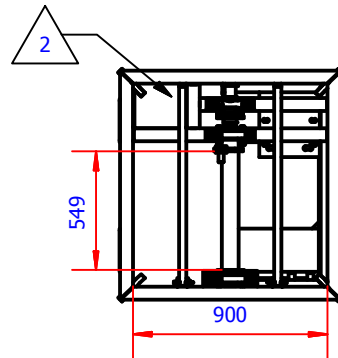
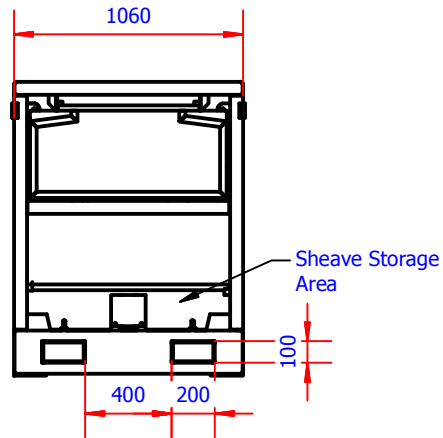
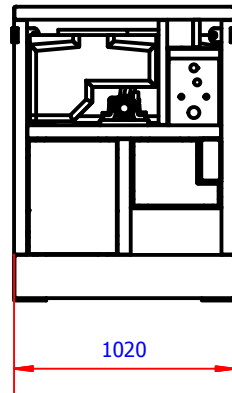
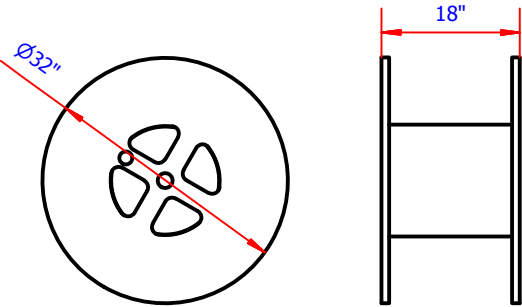
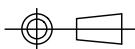


REVISION HISTORY							
REV	BY	DESCRIPTION	DATE	CHKD	APPR	EX APP	CL APP
2	DB	Roof Bars Turned 90 Degrees to allow more room for drum	28.04.15				



Max Drum: 32" Dia x 18" W, 3" Shaft

Notes:
Design Standard DNV 2.7-1, EN 12079 & Lloyds LRCCS
Model Number: 02-3000
Tare : 600 Kgs
S.W.L : 900 Kgs
Gross : 1500 Kgs

This drawing is copyright© and is the property of Blue Manta International, and must not be reproduced or used without the express permission of Blue Manta International.		General tolerances UNO Steel fabrications: ± 3.00mm Machining: ± 0.25mm Concentric: ± 0.05mm Angular: ± 0.05mm	Machined corner radii. Inside: ± 0.50mm UNO Outside: ± 0.65mm UNO
Description: 30" Spooling Unit	Part no: 02-3000	 Third angle projection	
Drawing No: BMD-763.S	Rev no: 2		
Client: Blue Manta	Scale: NTS @ A4		
Drawn by : Daniel Barclay	Date : 07.10.14		
		Sheet number: 1 of 1	