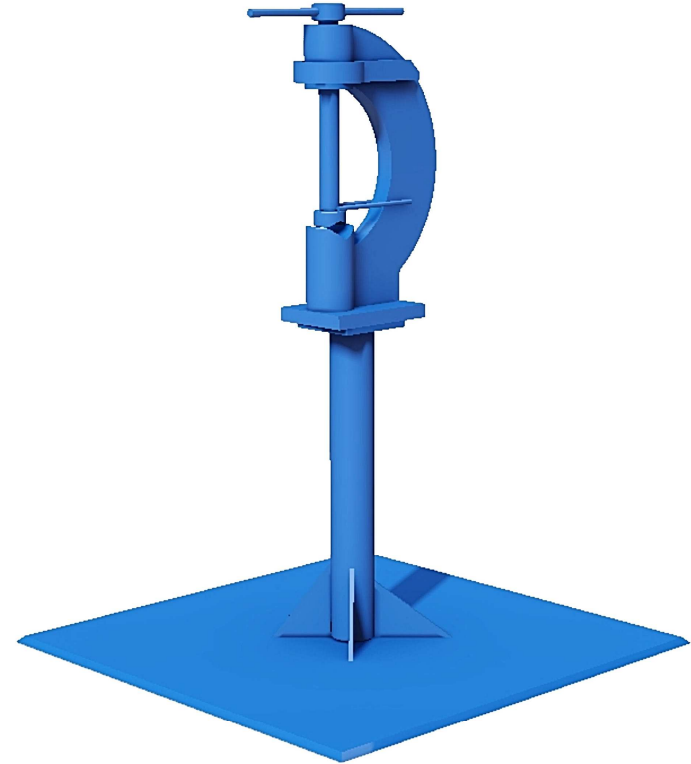
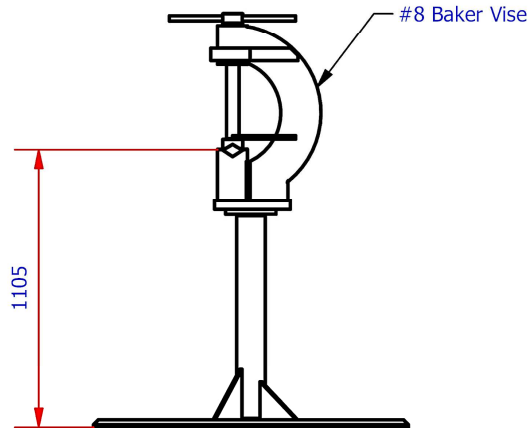
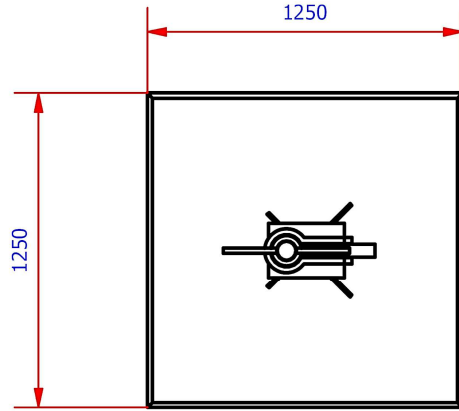
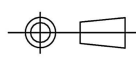


REVISION HISTORY

REV	BY	DESCRIPTION	DATE	CHKD	APPR	EXT AP	CL APP
1	CA	-	28.08.12	CA	BR	-	-



Number 8 Baker Vise  
Stand load tested to 1000kgs

<p>This drawing is copyright© and is the property of Blue Manta International, and must not be reproduced or used without the express permission of Blue Manta International.</p>		<p>General tolerances UNO Steel fabrications: ± 3.00mm Machining: ± 0.25mm Concentric: ± 0.05mm Angular: ± 0.05mm</p>	<p>Machined corner rads. Inside: ± 0.50mm UNO Outside: ± 0.65mm UNO</p>
<p>Description: <b>Baker Vise Stand</b></p>			 Third Angle Projection
<p>Part no: <b>BM-BV-8125</b></p>	<p>Drawing No: <b>BMD-782</b></p>		
<p>Client: <b>Blue Manta</b></p>	<p>Scale: <b>NTS @ A4</b></p>		