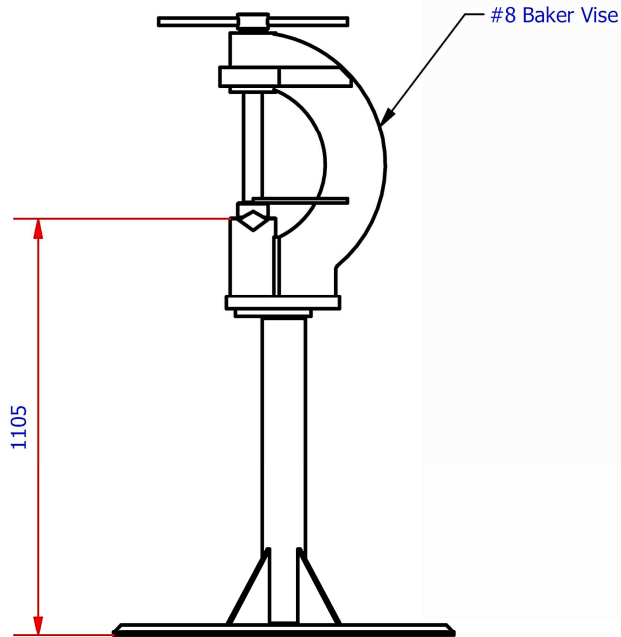
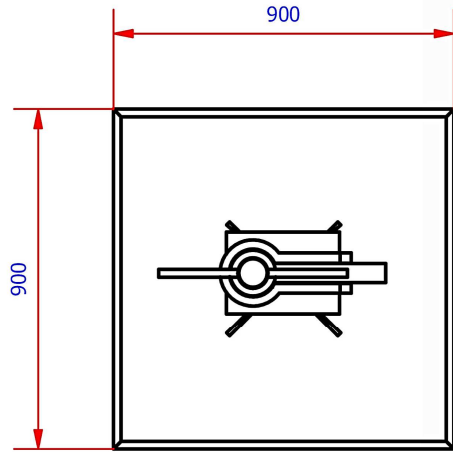
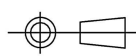


REVISION HISTORY

REV	BY	DESCRIPTION	DATE	CHKD	APPR	EXT AP	CL APP
1	BR	-	19.11.12	BR	IH	-	-



Number 8 Baker Vise
Stand load tested to 1000kgs
This stand must be bolted to the floor

<p>This drawing is copyright© and is the property of Blue Manta International, and must not be reproduced or used without the express permission of Blue Manta International.</p>		<p>General tolerances UNO Steel fabrications: ± 3.00mm Machining: ± 0.25mm Concentric: ± 0.05mm Angular: ± 0.05mm</p>		<p>Machined corner rads. Inside: ± 0.50mm UNO Outside: ± 0.65mm UNO</p>	
<p>Description: #8 900 Base Baker Vise Stand</p>					
<p>Part no: BM-BV-890</p>			<p>Drawing No: BMD-831.S</p>		
<p>Client: Blue Manta</p>			<p>Scale: NTS @ A4</p>		
					 Third Angle Projection