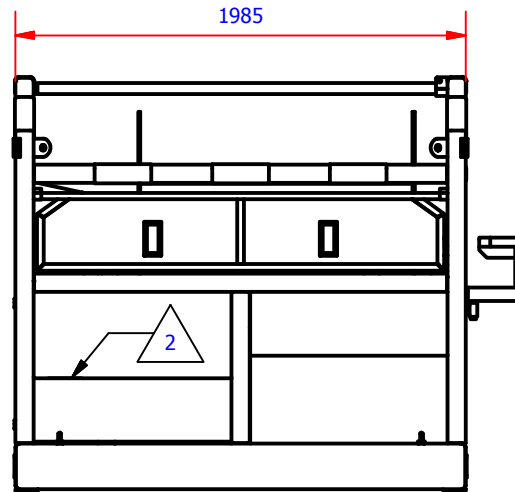
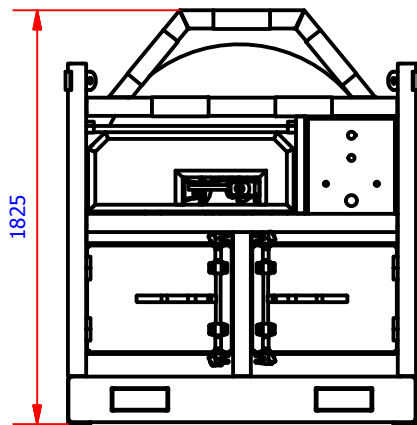
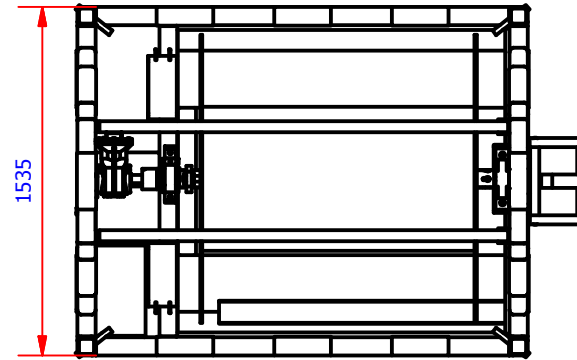
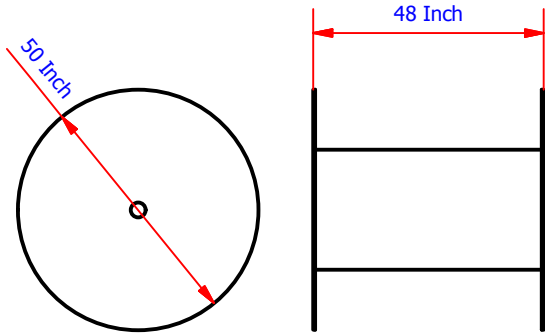


REVISION HISTORY

| REV | BY | DESCRIPTION | DATE | CHKD | APPR | EXT AP | CL APP |
|-----|----|--|----------|------|------|--------|--------|
| 1 | DB | - | 24.09.15 | DB | IH | | |
| 2 | DB | Changed Position of Pendant Control Connections, Updated Showcase to match | 08.04.16 | DB | IH | | |



MAX DRUM - 50" DIA x 48" WIDE - 3" SHAFT

| | | |
|--|--|--|
| This drawing is copyright© and is the property of Blue Manta International, and must not be reproduced or used without the express permission of Blue Manta International. | General tolerances UNO Steel fabrications: ± 3.00mm Machining: ± 0.25mm Concentric: ± 0.05mm Angular: ± 30mins | Machined corner rads. Inside: ± 0.50mm UNO Outside: ± 0.65mm UNO |
| | | |
| Part no: 02-5000 | Drawing No: BMD-1163.S | |
| Client: Blue Manta | Scale: NTS @ A4 | |

