

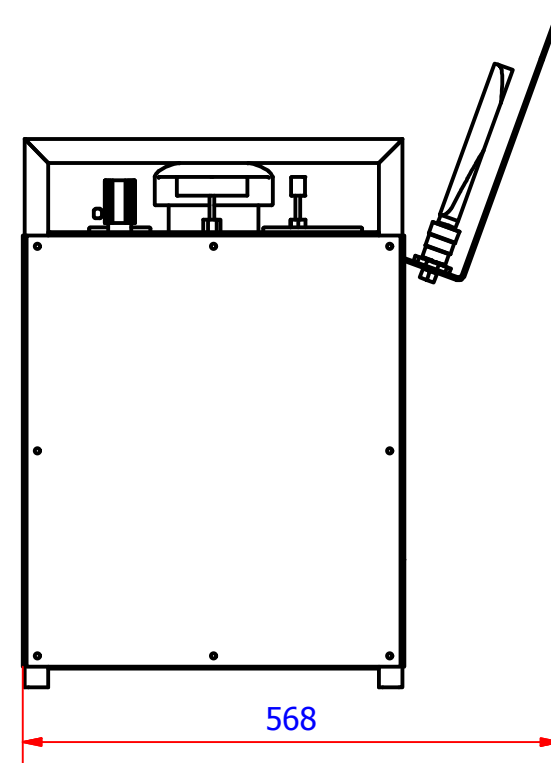
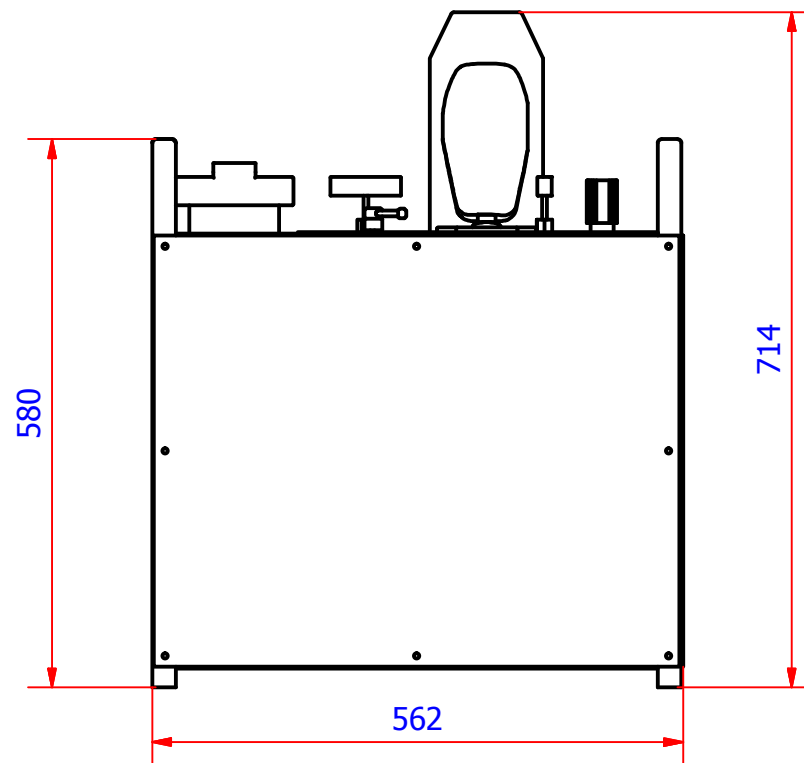
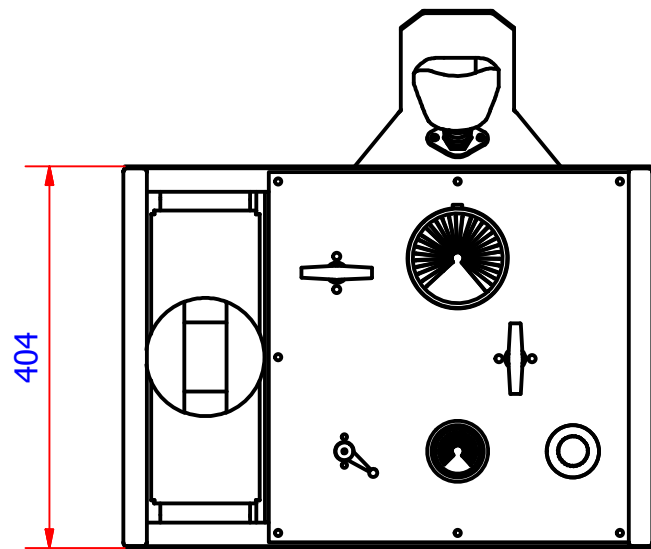
REVISION HISTORY

REV	BY	DESCRIPTION	DATE	CHKD	APPR	EXT APP	CL APP
1	RG	-	15.06.17				

Liquid Pump Information for 10K, 15K and 20K Units

Part No.	Horsepower	Actual Ratio	Displacement (cu in)	Displacement (ml)	Outlet Pressure (psi)	Outlet Pressure (bar)	Outlet Flow (cu in/min)	Outlet Flow (l/min)
ASF 150	1.5	173	0.27	4.5	15000	1034	81	1.3

Notes:



Pump Size	10K	15K	20K
MWP	7.5K	11.25K	15K
Chart Recorder	10K	15K	20K
nVision Reference Recorder	10K	15K	-

This drawing is copyright© and is the property of Blue Manta International, and must not be reproduced or used without the express permission of Blue Manta International.

General tolerances UNO  
 Steel fabrications: ± 3.00mm  
 Machining: ± 0.25mm  
 Concentric: ± 0.05mm  
 Angular: ± 30mins

Machined corner rads.  
 Inside: ± 0.50mm UNO  
 Outside: ± 0.65mm UNO

Description: Single Pump With Optional nVision Reference Recorder

Part no: N/A      Drawing No: BMD-1439.S1

Client: Bluemanta      Scale: NTS@ A4

Third angle projection