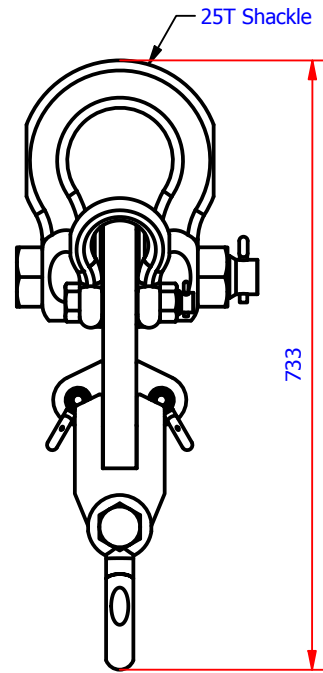
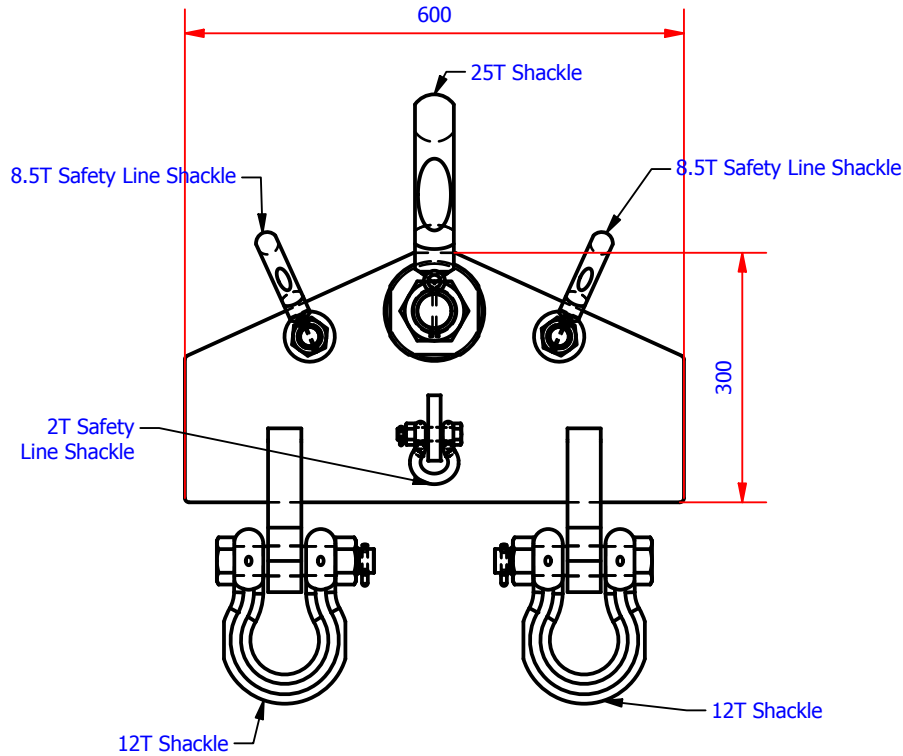


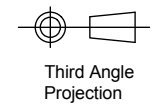
REVISION HISTORY

REV	BY	DESCRIPTION	DATE	CHKD	APPR	EXT APP	CL APP
1	DB	-	03.03.16	DB	IH	N/A	N/A



This drawing is copyright© and is the property of Blue Manta International, and must not be reproduced or used without the express permission of Blue Manta International.	General tolerances UNO	Machined corner rads.
	Steel fabrications: ± 3.00mm	Inside: ± 0.50mm UNO
Machining: ± 0.25mm	Outside: ± 0.65mm UNO	
Concentric: ± 0.05mm		
Angular: ± 30mins		

Description: <b>24T SWL Spreader Beam - 2 Sheaves</b>	
Part no: <b>03-SB24-2</b>	Drawing No: <b>BMD-1538.S</b>
Client: <b>Blue Manta</b>	Scale: <b>NTS@A4</b>



Notes:  
 Built as per DNV 2.22 and Lloyds L.A.M.E. CH3  
 Tare Weight: 86 kg  
 Max Load: 24T (12T Per Bottom Hole)  
 Part Number: 03-SB24-2