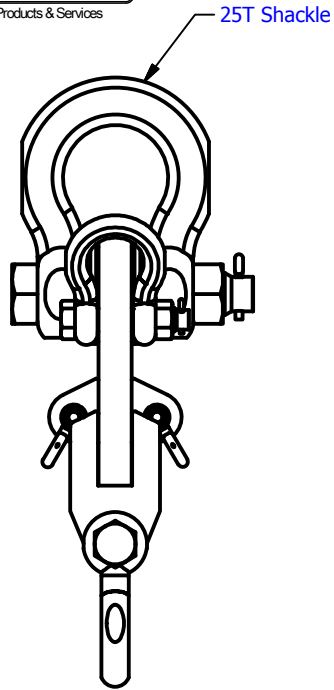
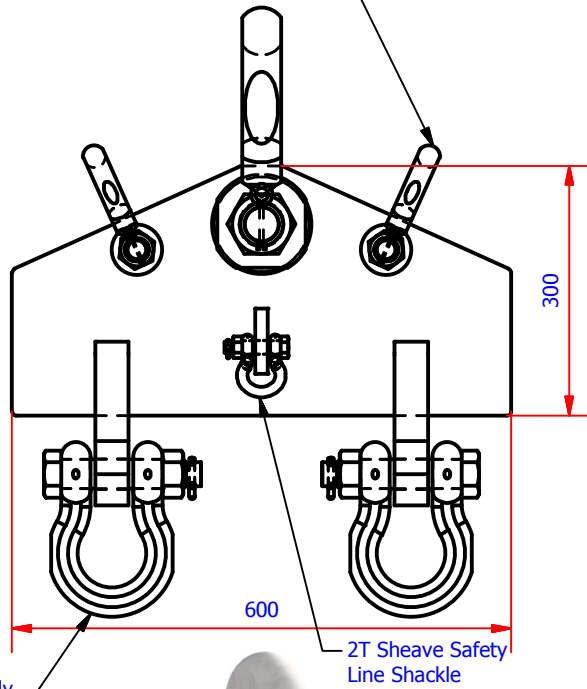


REVISION HISTORY

REV	BY	DESCRIPTION	DATE	CHKD	APPR	EXT AP	CL APP
1	DB	-	03.03.16	DB	IH		



8.5T Shackle to be fitted to safety line during operation



12T Shackle Fits Directly to Shackle on Sheave



Notes:  
Built as per DNV 2.22 and Lloyds L.A.M.E. CH3  
Tare Weight: TBC  
Max Load: 24T (12T Per Bottom Hole)  
Part Number: 03-SB24-2

This drawing is copyright© and is the property of Blue Manta International, and must not be reproduced or used without the express permission of Blue Manta International.		General tolerances UNO Steel fabrications: ± 3.00mm Machining: ± 0.25mm Concentric: ± 0.05mm Angular: ± 30mins	Machined corner rads. Inside: ± 0.50mm UNO Outside: ± 0.65mm UNO
Description: <b>2 Hole - 24T Spreader Beam</b>		<p>Third Angle Projection</p>	
Part no: -	Drawing No: <b>BMD-1538.S</b>		
Client: <b>Blue Manta</b>	Scale: <b>NTS @ A4</b>		