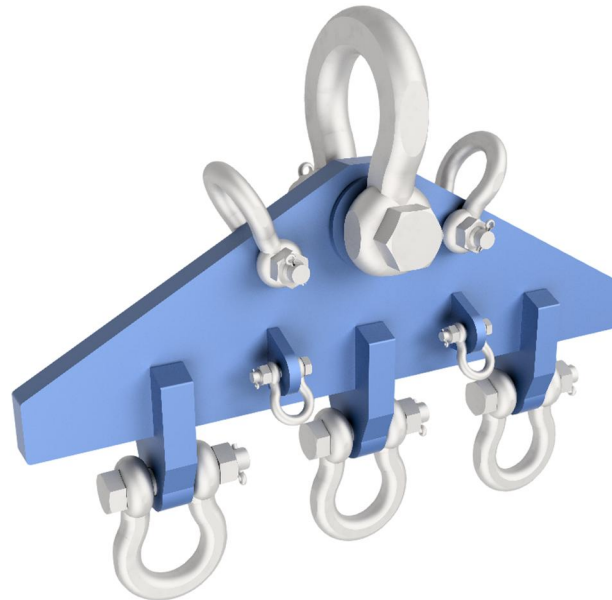
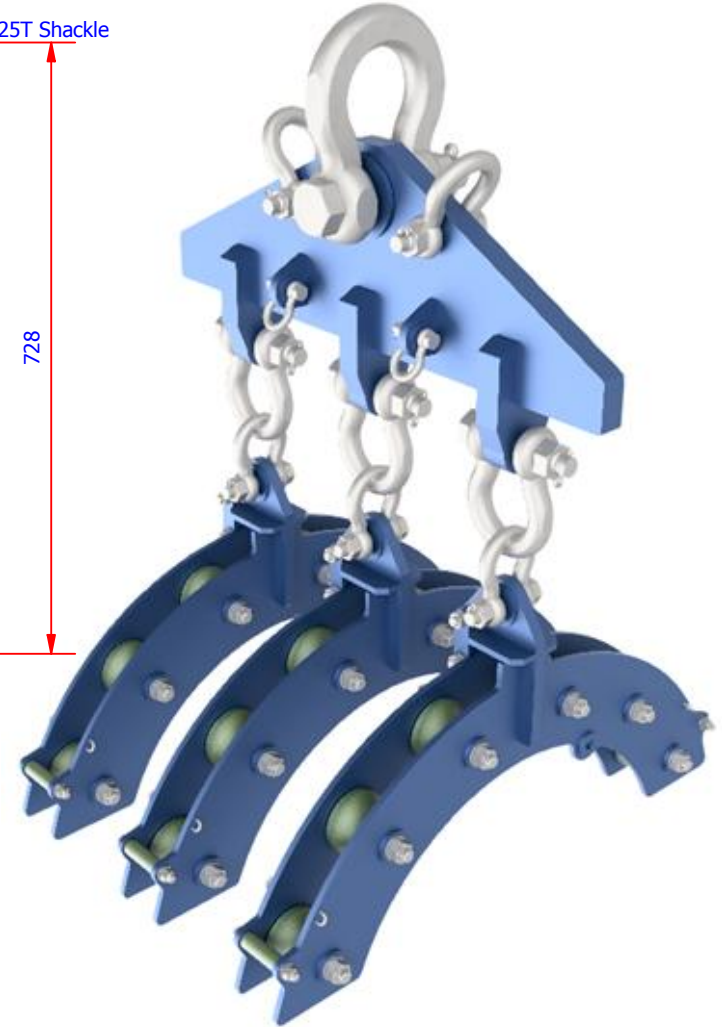
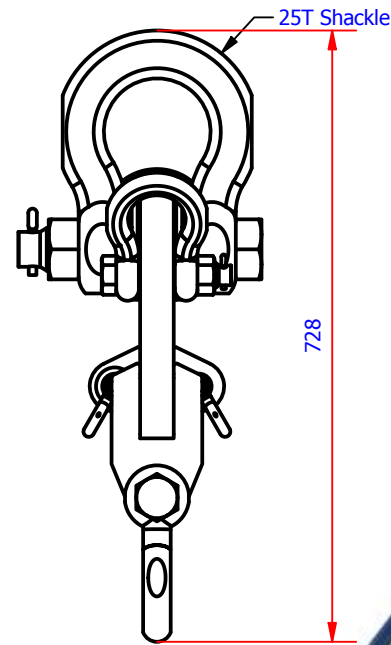
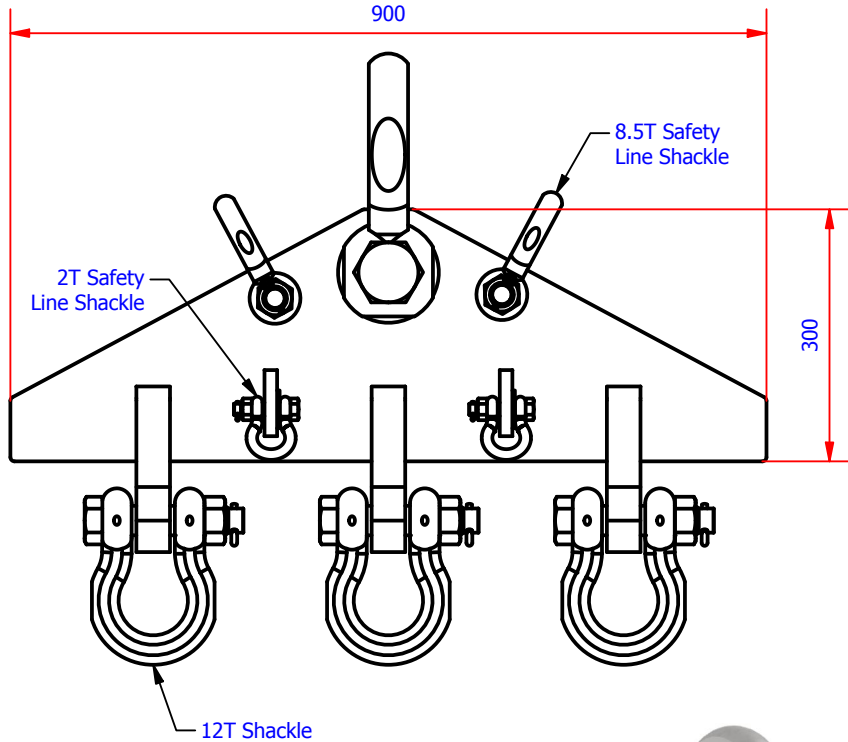
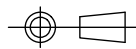


REVISION HISTORY

REV	BY	DESCRIPTION	DATE	CHKD	APPR	EXT AP	CL APP
1	DB	-	03.03.16	DB	IH		



This drawing is copyright© and is the property of Blue Manta International, and must not be reproduced or used without the express permission of Blue Manta International.	General tolerances UNO Steel fabrications: $\pm 3.00\text{mm}$ Machining: $\pm 0.25\text{mm}$ Concentric: $\pm 0.05\text{mm}$ Angular: $\pm 30\text{mins}$	Machined corner rads. Inside: $\pm 0.50\text{mm UNO}$ Outside: $\pm 0.65\text{mm UNO}$
--	--	--

Description: 24T SWL Spreader Beam - 3 Sheaves		 Third Angle Projection
Part no: 03-SB-24-3	Drawing No: BMD-1545.S	
Client: Blue Manta	Scale: NTS@A4	

Notes:
Built as per DNV 2.22 and Lloyds L.A.M.E. CH3
Tare Weight: 100 kg
Max Load: 24T (12T Per Bottom Hole)
Part Number: 03-SB24-2