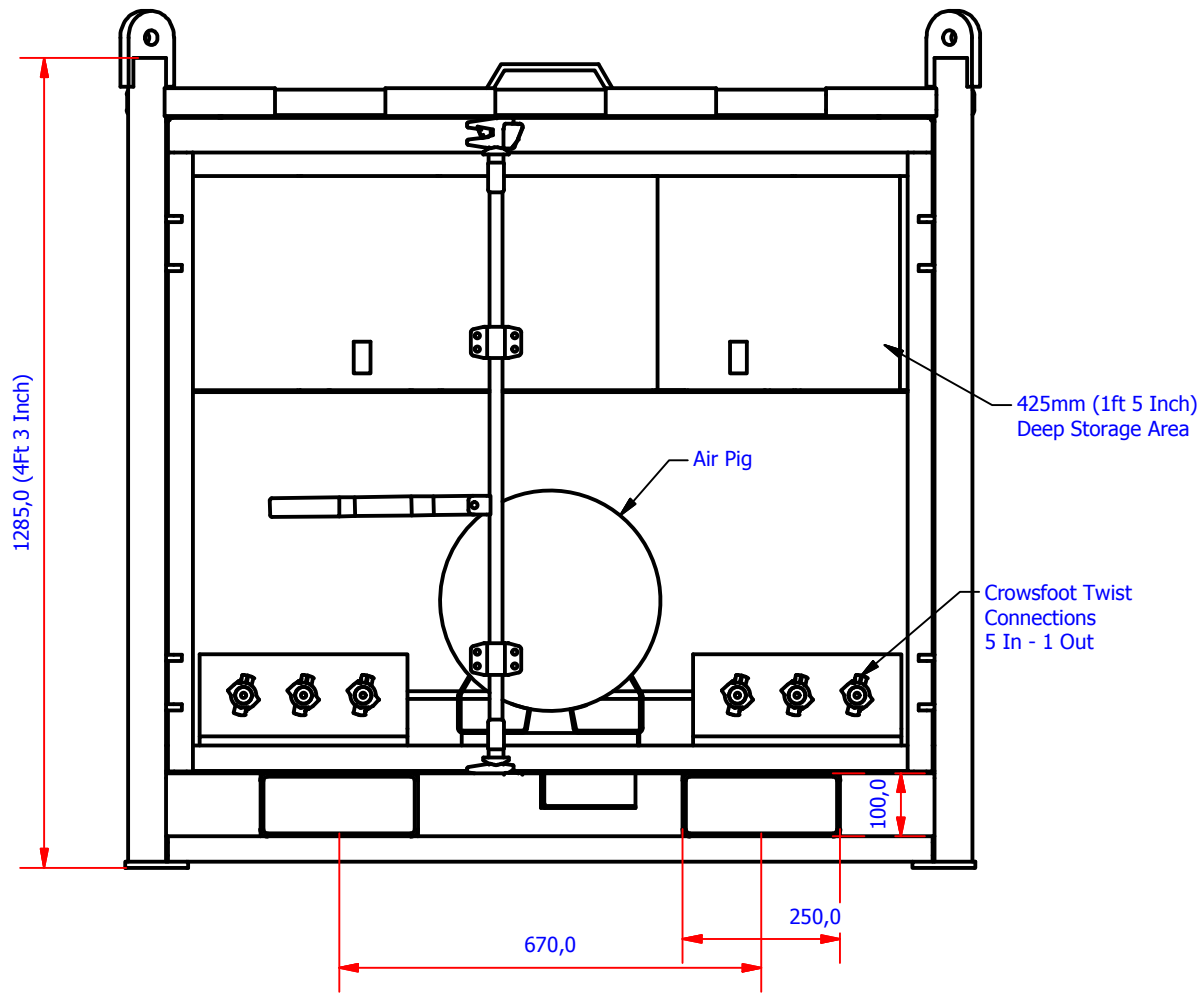
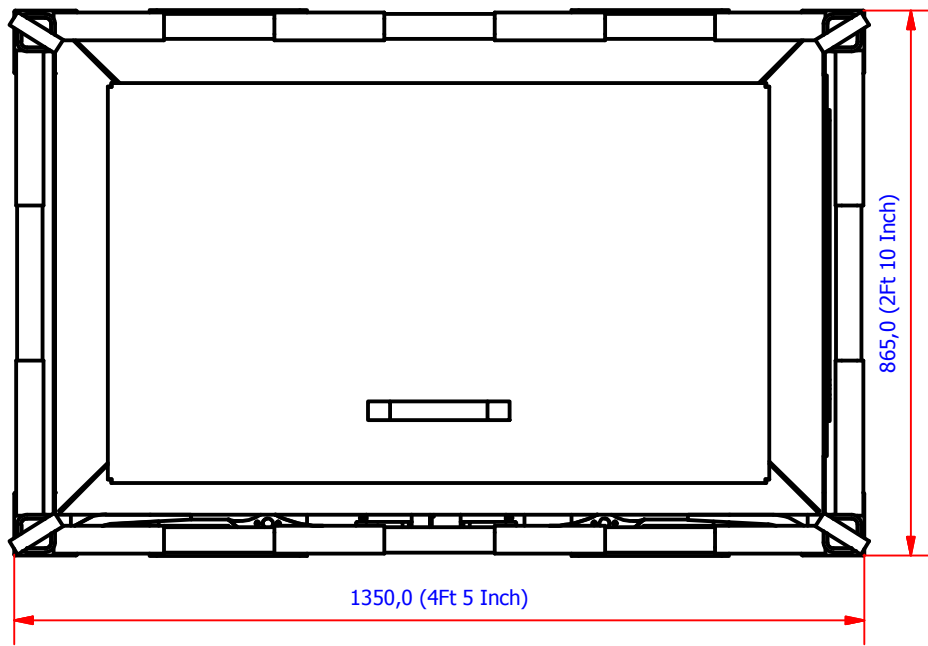



REVISION HISTORY							
REV	BY	DESCRIPTION	DATE	CHKD	APPR	EXT AP	CL APP
1	RG	-	28.06.17	RG	IH	N/A	N/A



Doors Removed for Example Purposes



Doors Removed for Example Purposes

<p>This drawing is copyright© and is the property of Blue Manta International, and must not be reproduced or used without the express permission of Blue Manta International.</p>	<p>General tolerances UNO Steel fabrications: ± 3.00mm Machining: ± 0.25mm Concentric: ± 0.05mm Angular: ± 30mins</p>	<p>Machined corner rads. Inside: ± 0.50mm UNO Outside: ± 0.65mm UNO</p>
<p>Part no: -</p>	<p>Drawing No: BMD-1594.S</p>	
<p>Client: Blue Manta</p>	<p>Scale: NTS @ A3</p>	
 <p>Third angle projection</p>		