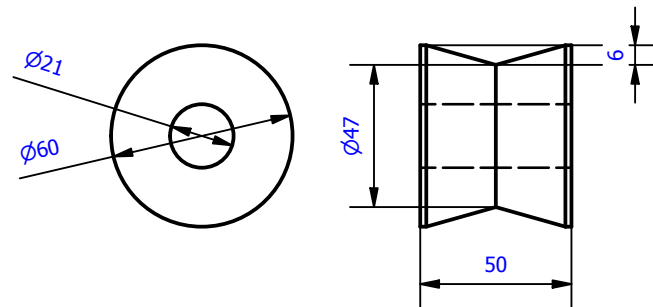
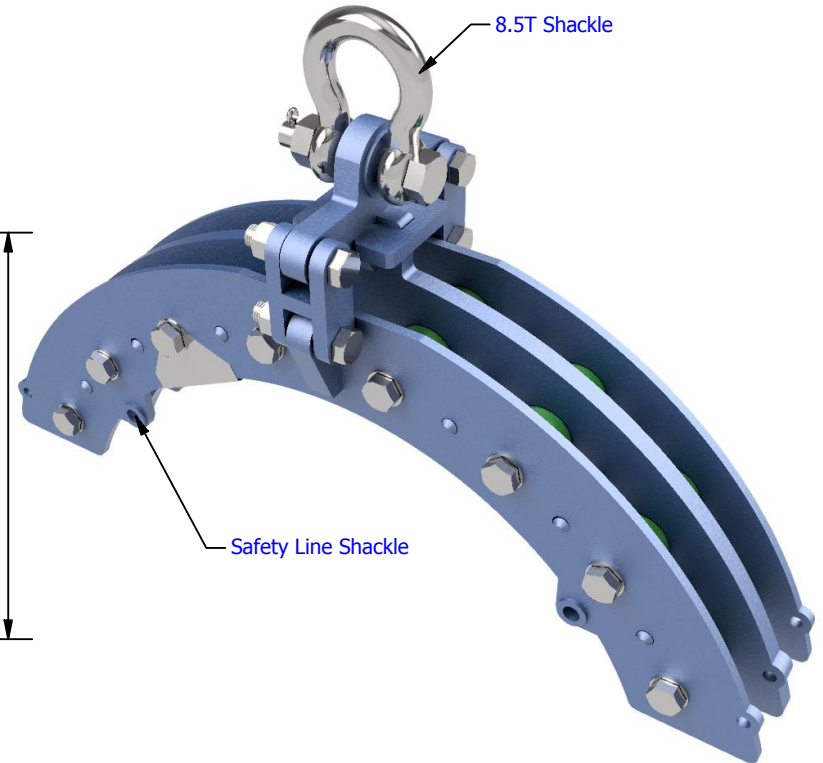
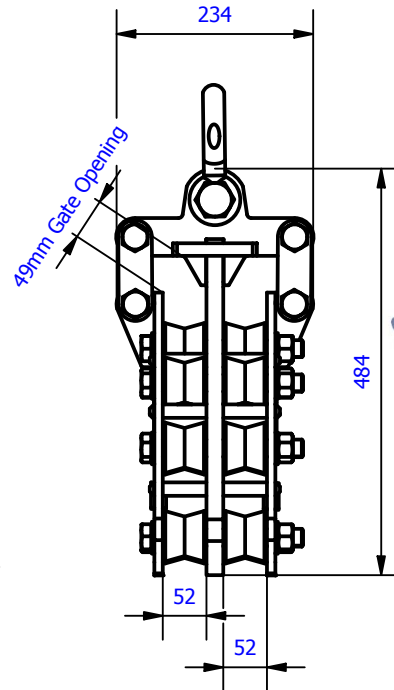
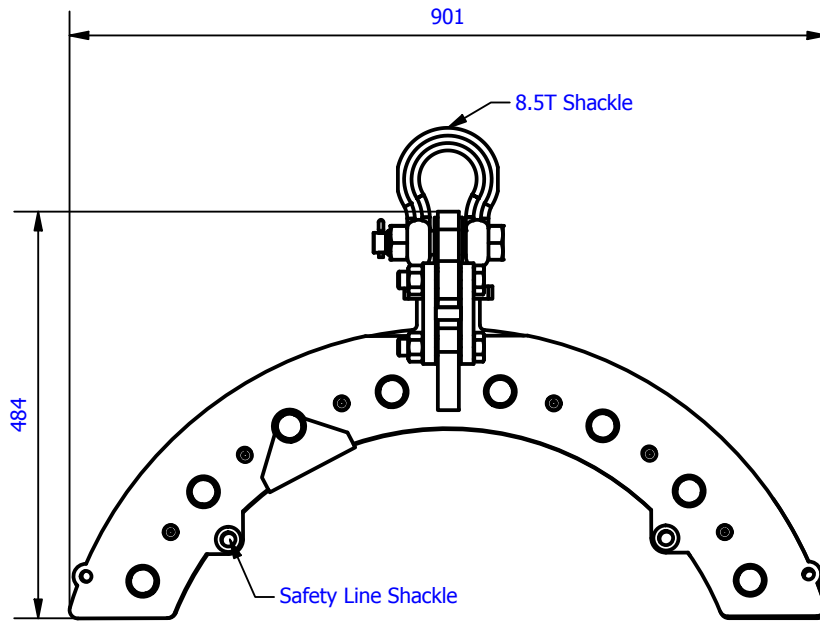


REVISION HISTORY

| REV | BY | DESCRIPTION | DATE | CHKD | APPR | EXT APP | CL APP |
|-----|----|------------------------------------|----------|------|------|---------|--------|
| 2 | IH | centre plate increased to 20mm thk | 04.07.17 | MR | IH | N/A | N/A |



Umbilical Oil Roller

Notes:
 Design Standard: DNV 2.22 And Lloyds LAME
 Model Number: 03-0208.2
 Connecting Shackle 8.5T
 Tare weight: 70Kgs
 Max line pull: 2 T
 Max head pull: 8 T

| | | |
|--|--|--|
| This drawing is copyright© and is the property of Blue Manta International, and must not be reproduced or used without the express permission of Blue Manta International. | General tolerances UNO Steel fabrications: ± 3.00mm Machining: ± 0.25mm Concentric: ± 0.05mm Angular: ± 30mins | Machined corner rads. Inside: ± 0.50mm UNO Outside: ± 0.65mm UNO |
| | | |
| Part no: 03-0208.2 | Drawing No: BMD-1661.S | |
| Client: Bluemanta | Scale: NTS@a4 | |

