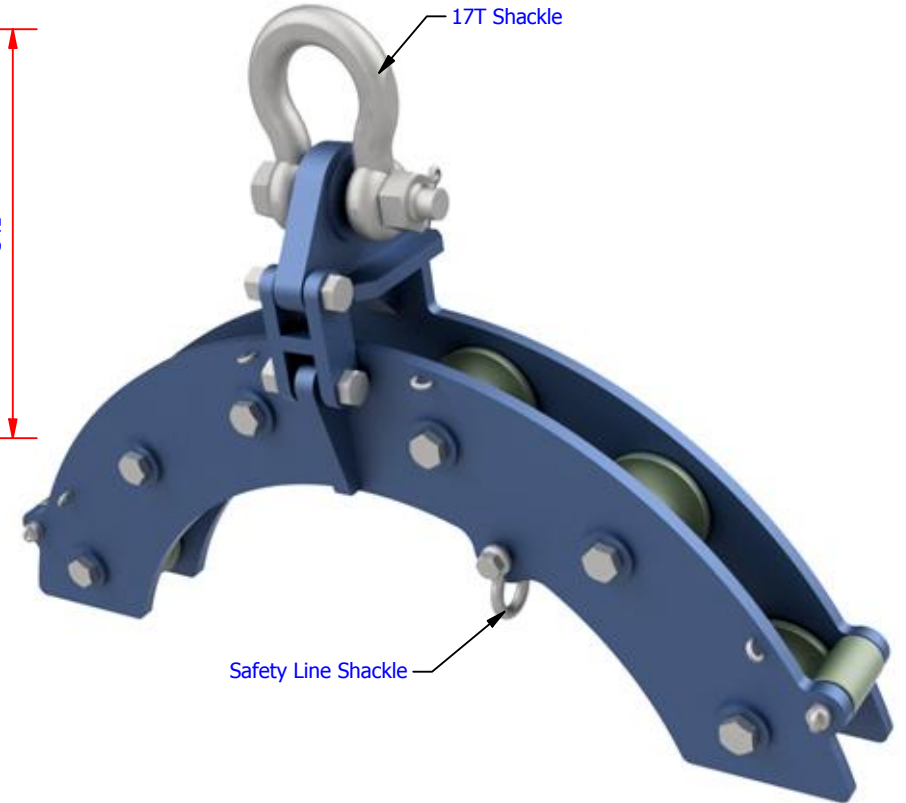
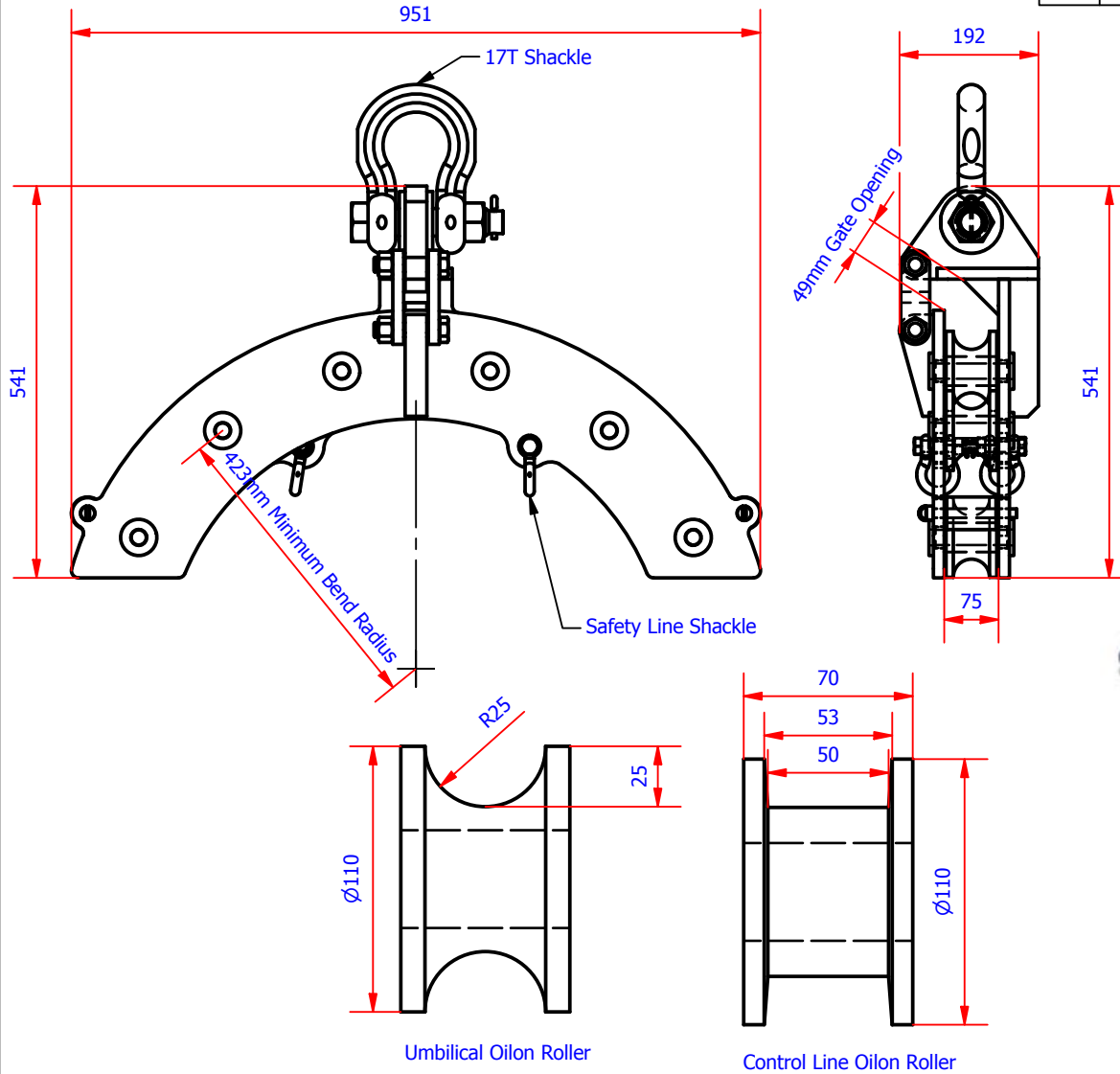


REVISION HISTORY

REV	BY	DESCRIPTION	DATE	CHKD	APPR	EXT APP	CL APP
1	IH	-	18.04.18	RG	IH	N/A	N/A



Notes:
 Design Standard DNV 2.22 and Lloyds LAME
 Model Number: 03-0816
 Connected to rig via 17T shackle
 Tare Weight: 68kg
 Max Line Pull: 8T
 Max Head Pull: 16T

This drawing is copyright© and is the property of Blue Manta International, and must not be reproduced or used without the express permission of Blue Manta International.		General tolerances UNO Steel fabrications: ± 3.00mm Machining: ± 0.25mm Concentric: ± 0.05mm Angular: ± 30mins	Machined corner rads. Inside: ± 0.50mm UNO Outside: ± 0.65mm UNO
Description: 8T 16T Sheave			<p>Third Angle Projection</p>
Part no: 03-0816	Drawing No: BMD-1752.S		
Client: Bluemanta	Scale: NTS @ A4		