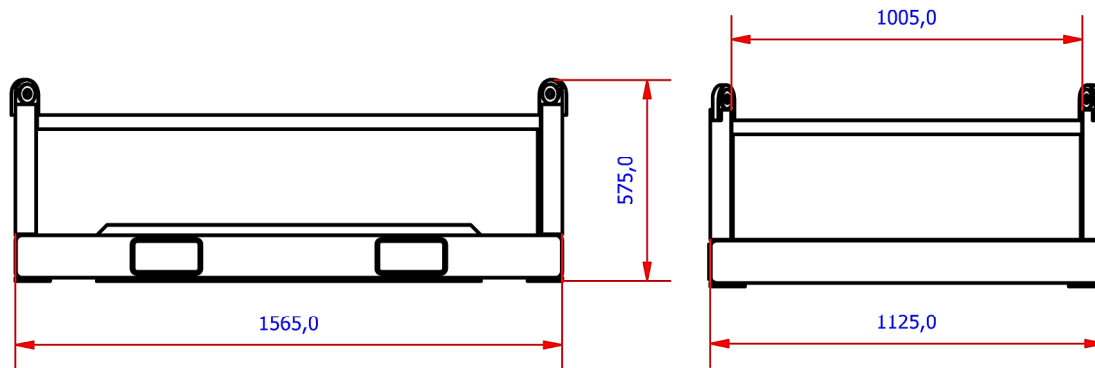
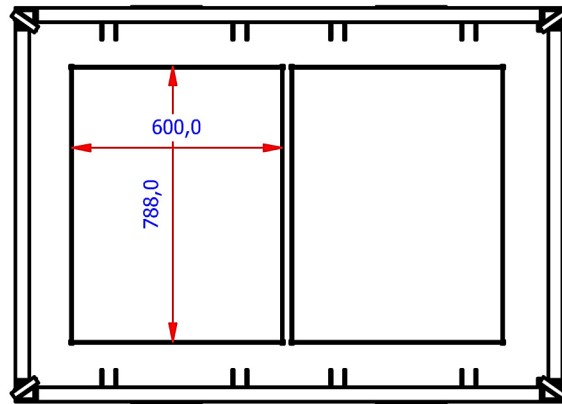


REVISION HISTORY					
REV	REVISED BY	DESCRIPTION	APPROVED	STATUS	DATE
1	BR	-	NH	Sales	18.06.10



Notes:  
 Design Standard DNV.CN 2.7-1  
 T: 500lgs  
 S: 1000kgs  
 G: 1500kgs  
 Model Number: 04-5000  
 Internal Dimensions: 1445L x 1005W x 300H

THIS DRAWING IS COPYRIGHT AND IS THE PROPERTY OF BLUE MANTA INTERNATIONAL, AND MUST NOT BE REPRODUCED OR USED WITHOUT THE EXPRESS PERMISSION OF BLUE MANTA INTERNATIONAL.		GENERAL TOLERANCES UNO STEEL FABRICATIONS: ± 3.00MM MACHINING: ± 0.25MM CONCENTRIC: ± 0.05MM ANGULAR: ± 0.05MM	MACHINED CORNER RADS. INSIDE: ± 0.50MM UNO OUTSIDE: ± 0.65MM UNO
DRAWING TITLE: 04-5000 SALES		DRAWING No: BMD-453.S	
CLIENT: BLUE MANTA		REV NO : I	
CLIENT APPROVAL: N/A		SCALE: NTS @ A4	
DATE:		SHEET OF : 1 OF 1	
DRAWN BY : B. ROBERTSON	CHECKED BY : IH	APPROVED BY : NH	DATE : 18.12.09

