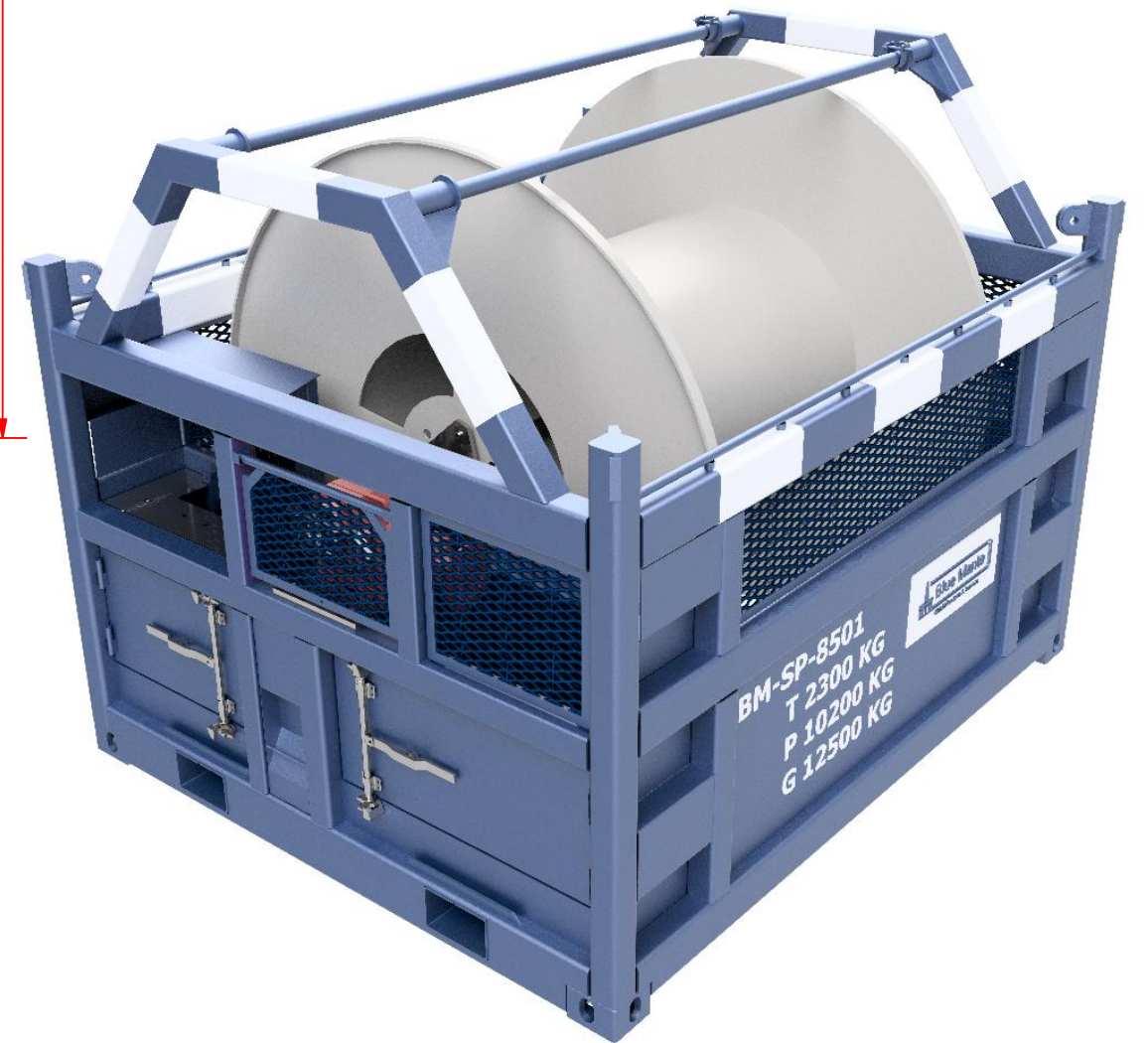
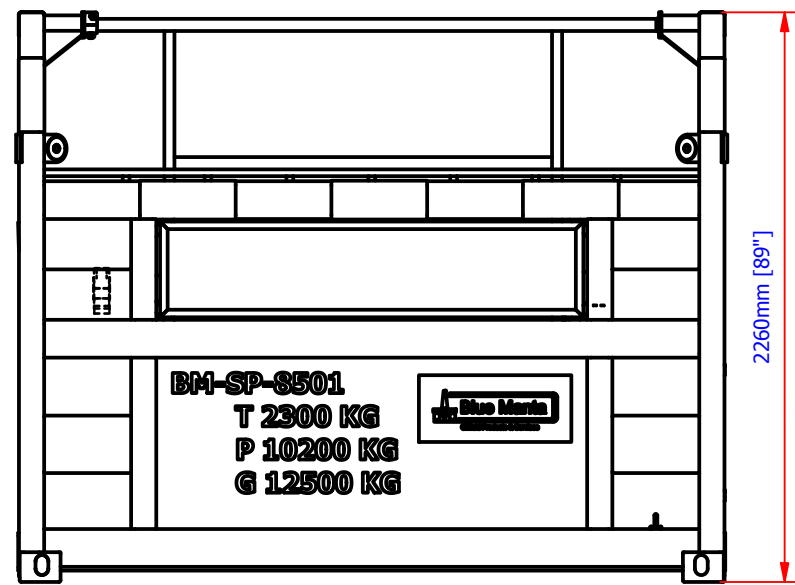
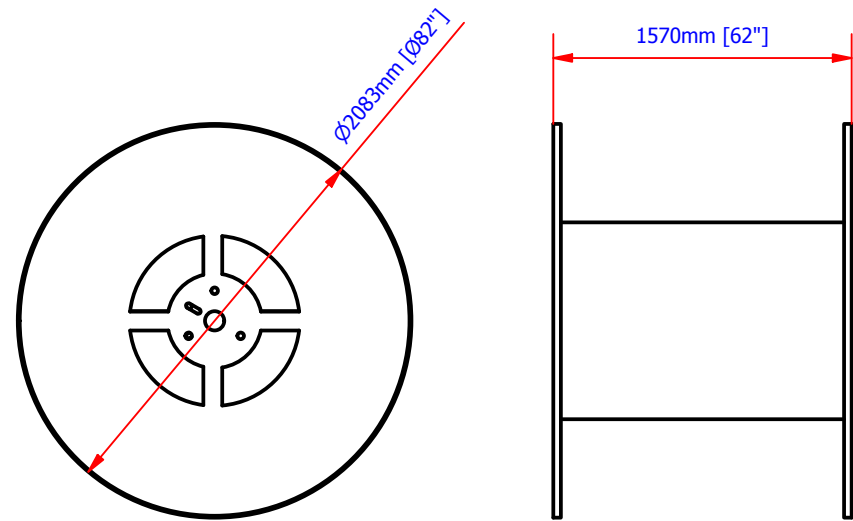
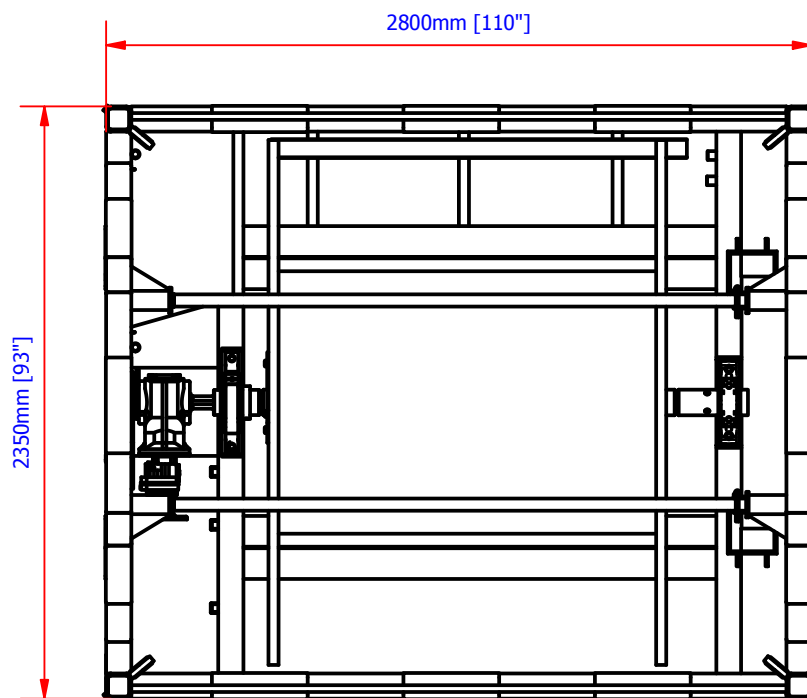
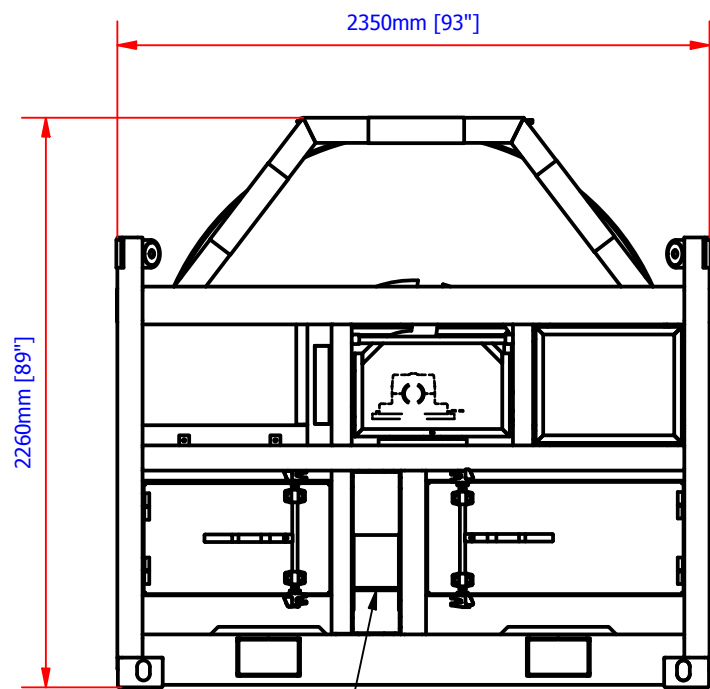


REVISION HISTORY						
REV	BY	DESCRIPTION	DATE	CHKD	APPR	EXT APP
2	DB	Changed Position of Pendant Control Connections, Updated Showcase to match.	08.04.16	DB	IH	N/A

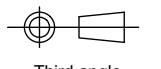


2



Notes:
 Design Standard DNV 2.7-1
 Model Number: 02-85WD
 Tare weight: 2,300kg
 S.W.L: 10,200kg
 Gross: 12,500kg

Max Drum: 82" Dia x 62" W, 4" Shaft

This drawing is copyright© and is the property of Blue Manta International, and must not be reproduced or used without the express permission of Blue Manta International.	General tolerances UNO Steel fabrications: ± 3.00mm Machining: ± 0.25mm Concentric: ± 0.05mm Angular: ± 30mins	Machined corner rads. Inside: ± 0.50mm UNO Outside: ± 0.65mm UNO
	Description: 85 Inch Spooling Unit	
Part no: 02-85WD	Drawing No: BMD-466.S	 Third angle projection
Client: Bluemanta	Scale: NTS @ A3	