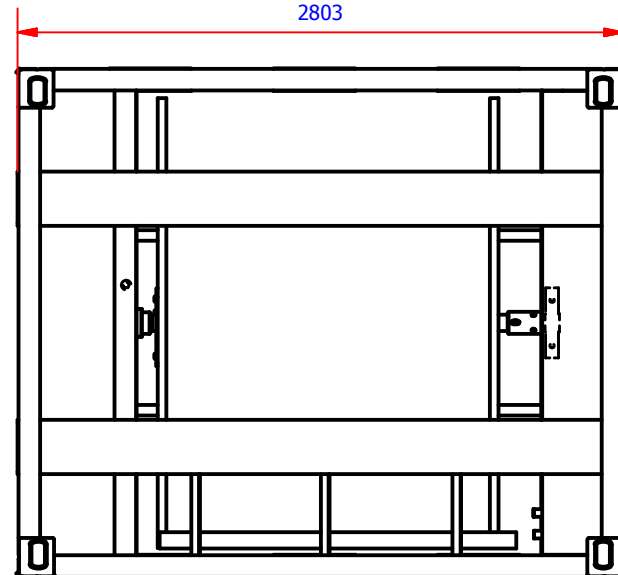
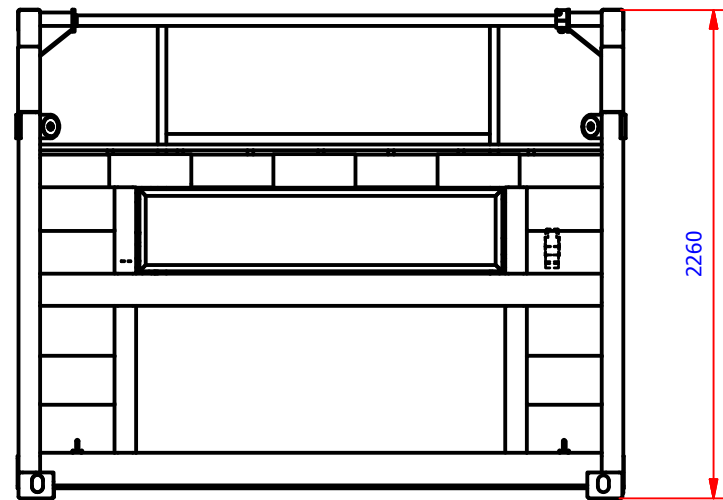
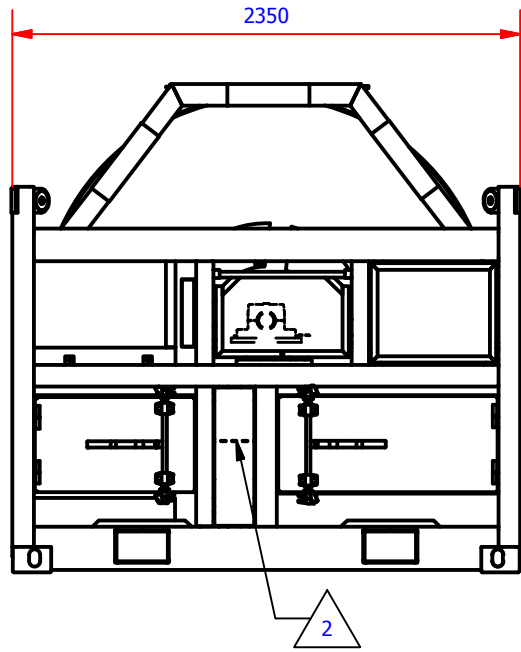
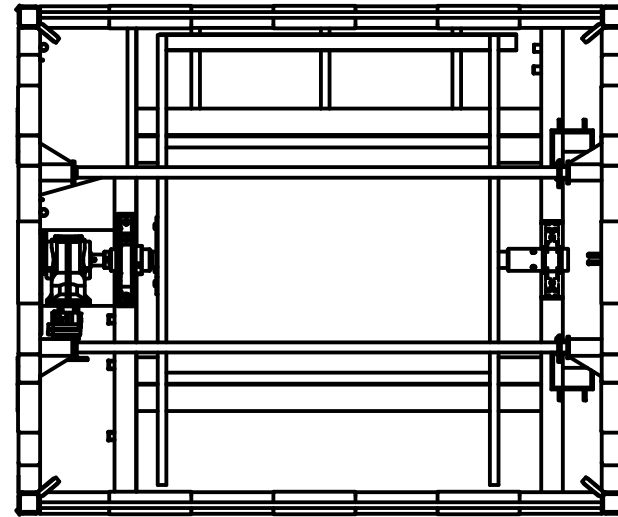
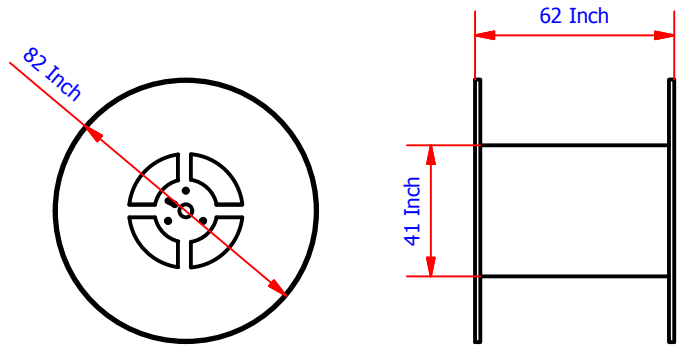


| REVISION HISTORY | | | | | | | |
|------------------|----|---|----------|------|------|--------|--------|
| REV | BY | DESCRIPTION | DATE | CHKD | APPR | EXT AP | CL APP |
| 1 | DB | - | 03.07.14 | MR | DB | | |
| 2 | DB | Changed Position of Pendant Control Connections, Updated Showcase to match. | 08.04.16 | DB | IH | | |

2



Max Drum: 82" Dia x 62" W, 4" Shaft

Notes:
Design Standard DNV 2.7-1
Model Number: 02-85WD-4
Tare weight: 2300kgs
S.W.L: 10200kgs
Gross: 12500kgs

| | | |
|---|---|---|
| <p>This drawing is copyright© and is the property of Blue Manta International, and must not be reproduced or used without the express permission of Blue Manta International.</p> | <p>General tolerances UNO Steel fabrications: ± 3.00mm Machining: ± 0.25mm Concentric: ± 0.05mm Angular: ± 30mins</p> | <p>Machined corner rads. Inside: ± 0.50mm UNO Outside: ± 0.65mm UNO</p> |
| | | |
| <p>Part no: 02-85WD</p> | <p>Drawing No: BMD-466.S</p> | <p>Third angle projection</p> |
| <p>Client: Bluemanta</p> | <p>Scale: NTS @ A3</p> | |