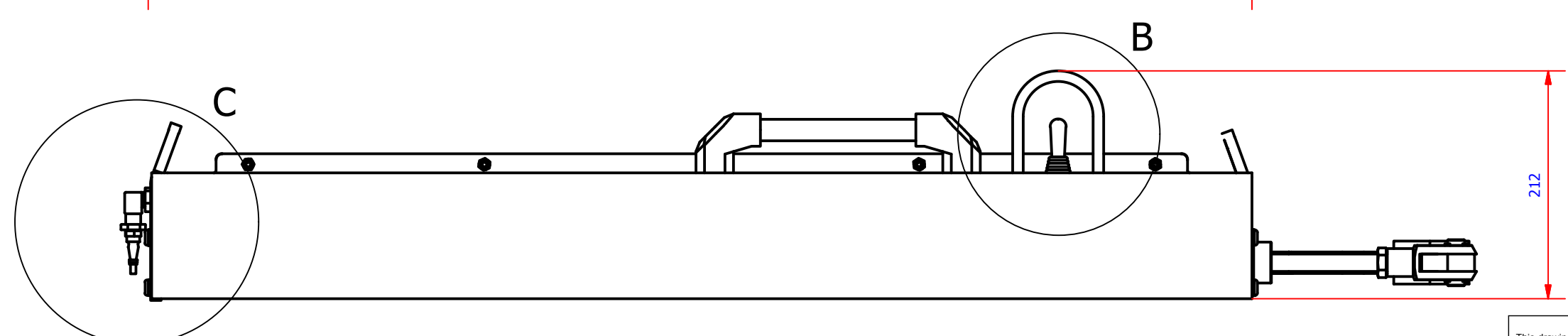
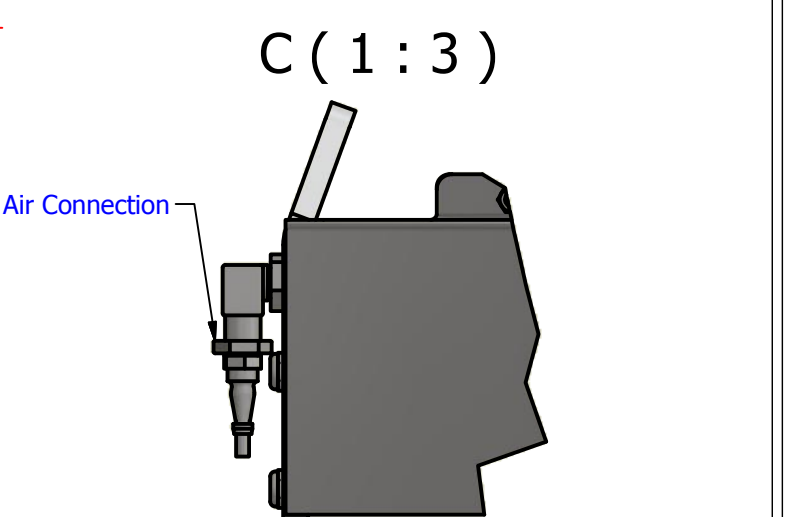
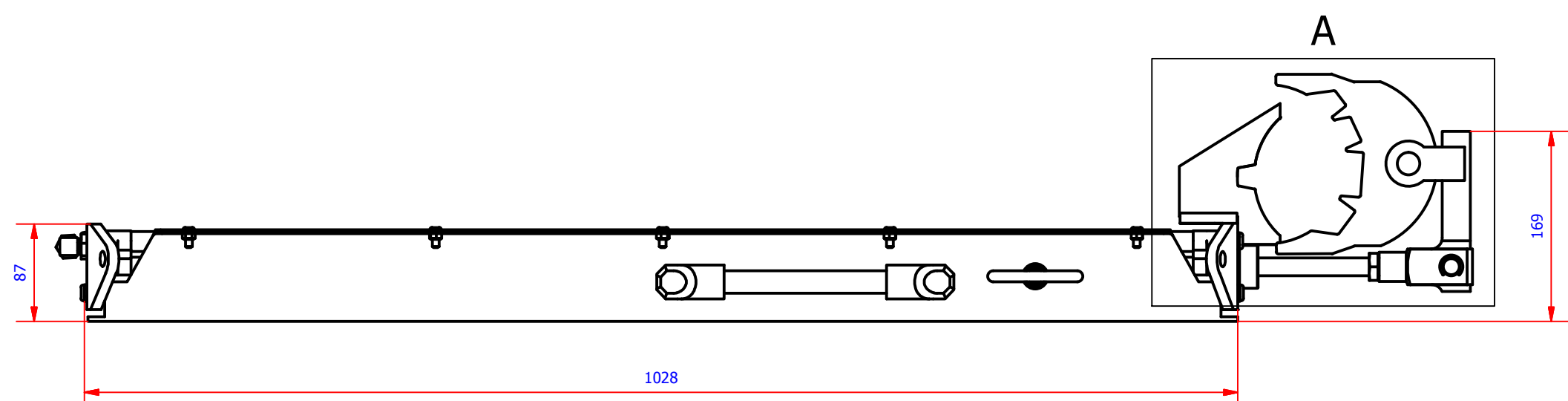
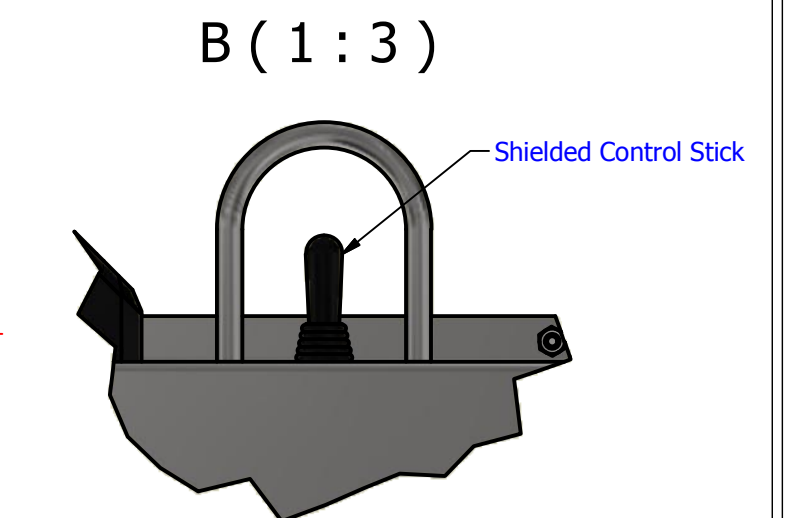
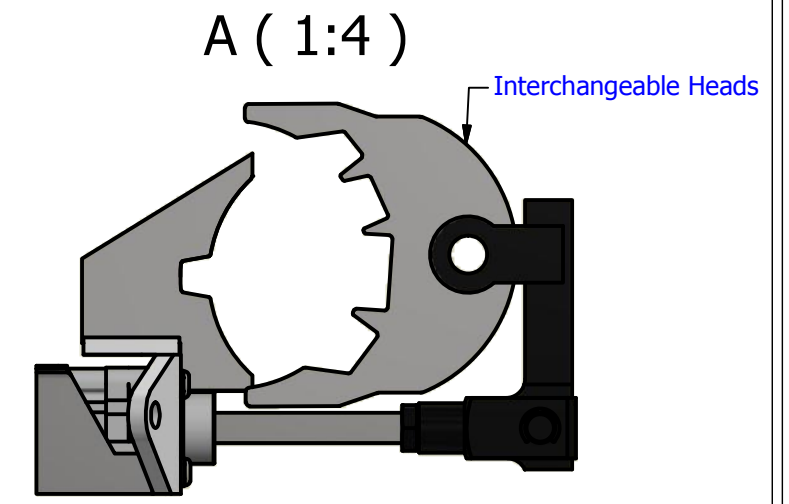
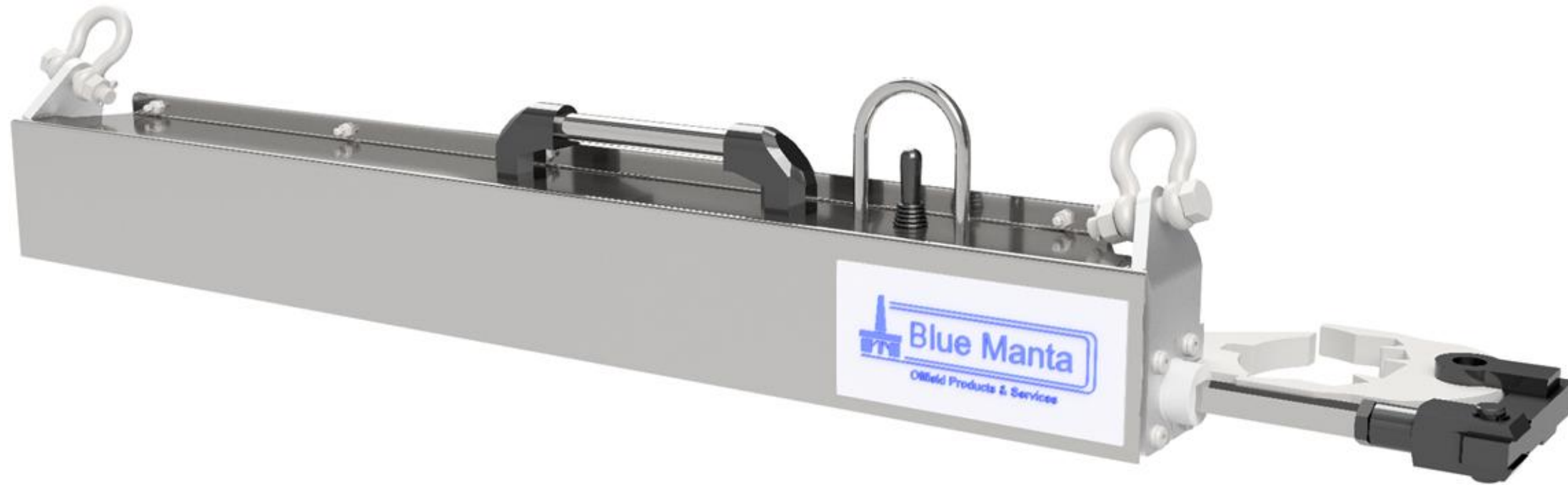
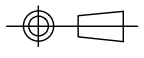


REVISION HISTORY							
REV	BY	DESCRIPTION	DATE	CHKD	APPR	EXT AP	CL APP
1	RG	-	25.07.17				



Notes:
 Light weight: 16kgs
 Reach: 900mm
 Quick interchangeable heads.
 Comes complete with air prep set.
 Head spec to be provided (Control Line Clamp Details).

This drawing is copyright© and is the property of Blue Manta International, and must not be reproduced or used without the express permission of Blue Manta International.		General tolerances UNO Steel fabrications: ± 3.00mm Machining: ± 0.25mm Concentric: ± 0.05mm Angular: ± 30mins	Machined corner rads. Inside: ± 0.50mm UNO Outside: ± 0.65mm UNO
Description: CAT Tool Sales Drawing			
Part no: -	Drawing No: BMD-528.S		 Third angle projection
Client: Bluemanta	Scale: NTS @ A3		