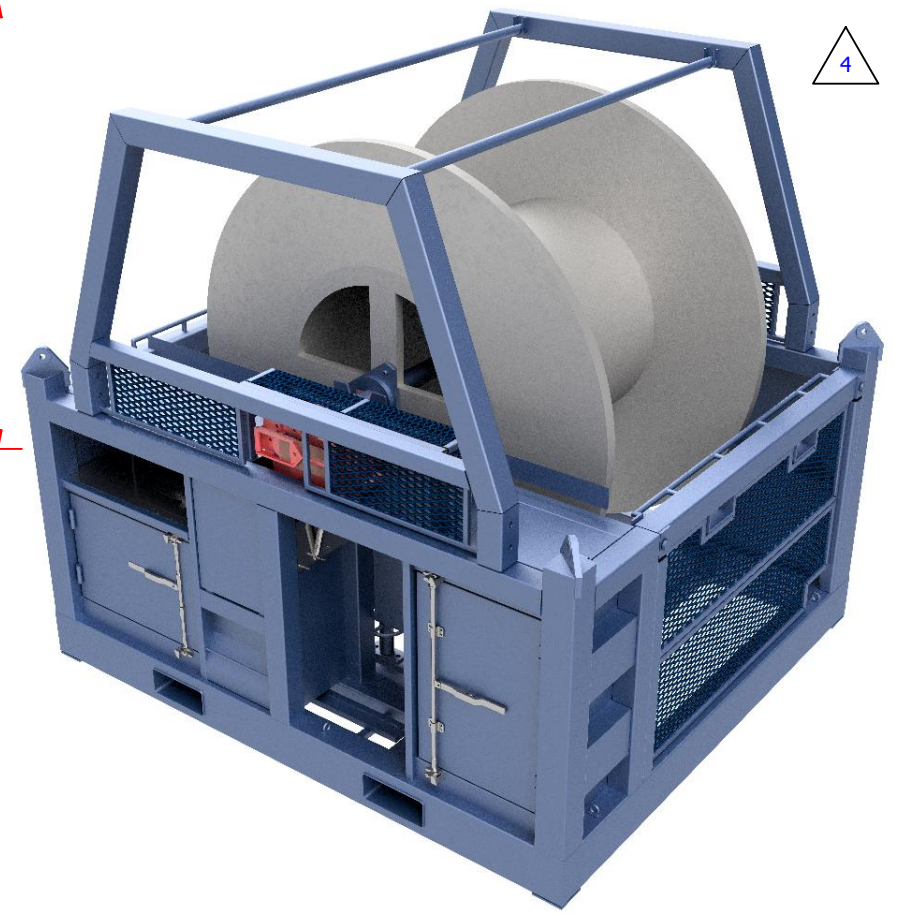
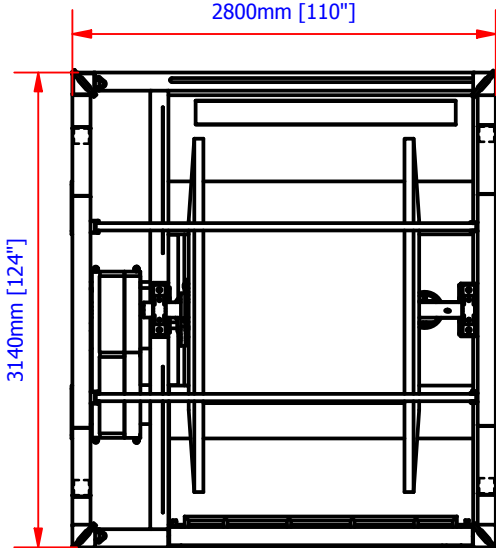
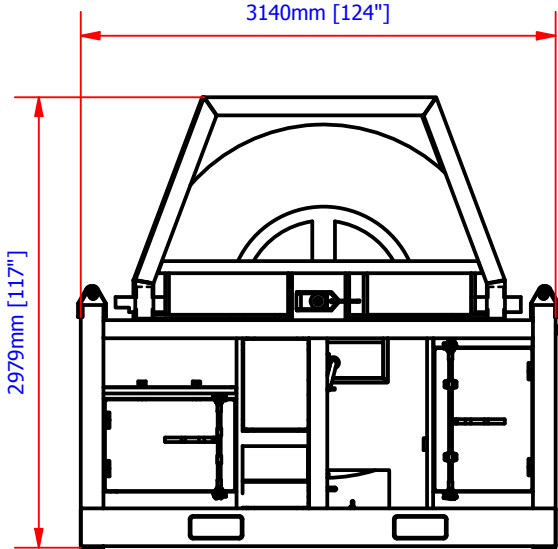
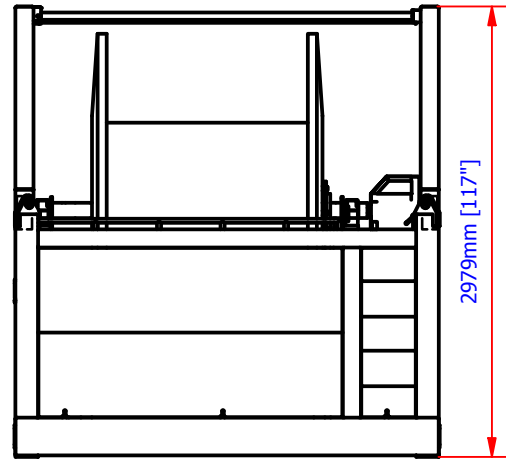
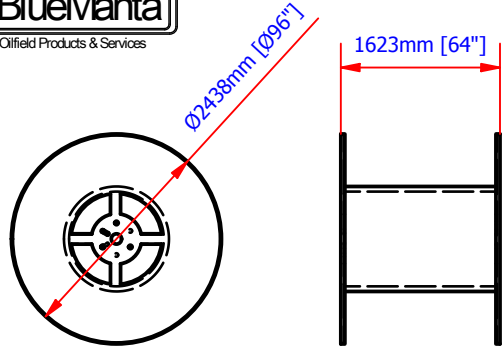


REVISION HISTORY

REV	BY	DESCRIPTION	DATE	CHKD	APPR	EXT AP	CL APP
4	DB	Changed Position of Pendant Control Connections, Updated Showcase to match	08.04.16	DB	IH	N/A	N/A

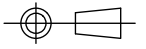


Max Drum Size: 96" Dia x 64" Wide, 4" Shaft

Notes:
Design Standard DNV 2.7-1
Tare: 2,500Kg
S.W.L.: 12,000Kg
Gross: 14,500Kg



This drawing is copyright© and is the property of Blue Manta International, and must not be reproduced or used without the express permission of Blue Manta International.	General tolerances UNO Steel fabrications: ± 3.00mm Machining: ± 0.25mm Concentric: ± 0.05mm Angular: ± 0.05mm	Machined corner radii. Inside: ± 0.50mm UNO Outside: ± 0.65mm UNO
	Description: 96" Spooling Unit	

Part no: 02-9600	Drawing No: BMD-625.S	 Third Angle Projection
Client: Bluemanta	Scale: NTS @ A4	