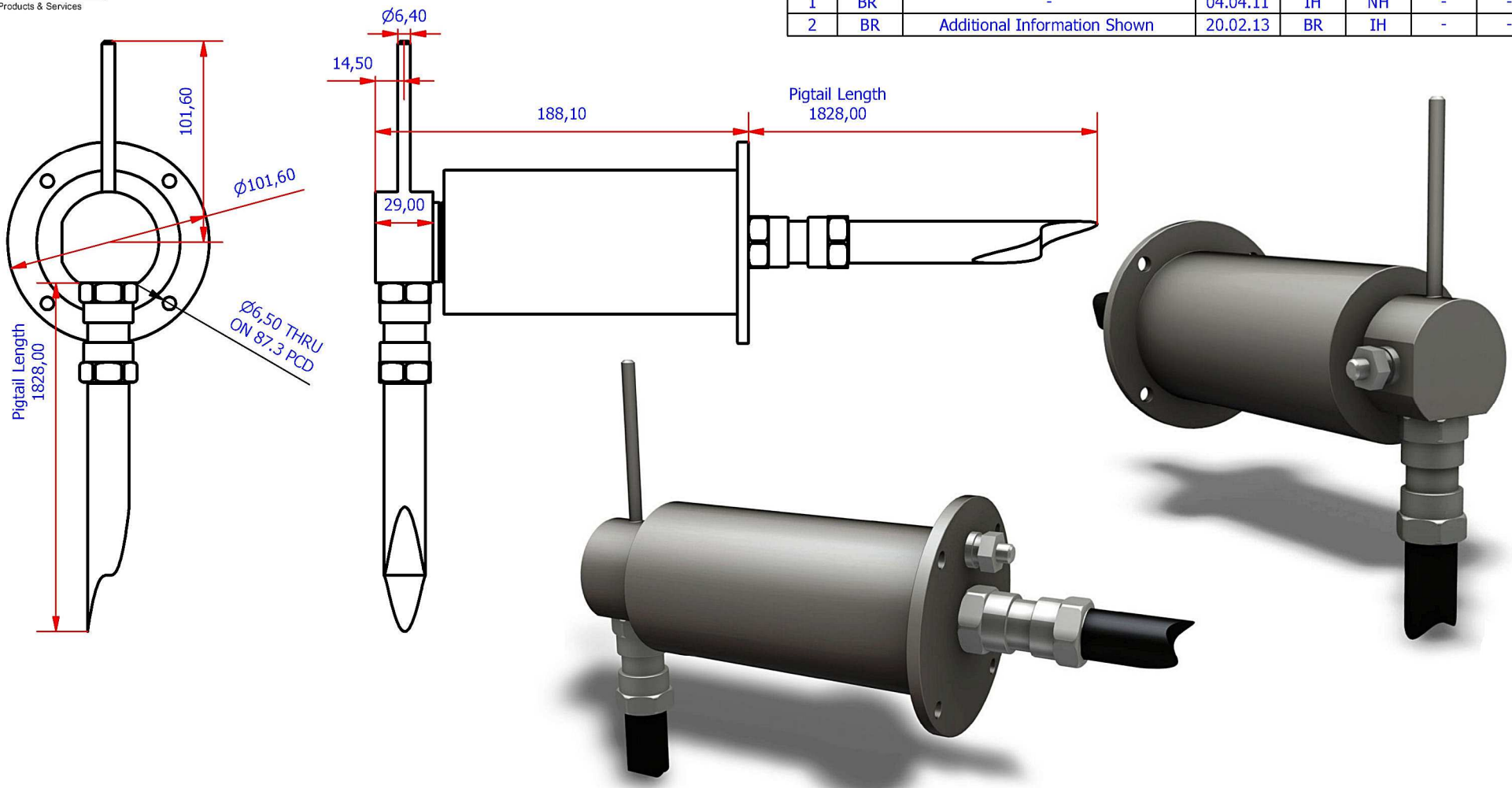


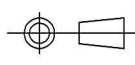
REVISION HISTORY							
REV	BY	DESCRIPTION	DATE	CHKD	APPR	EX APP	CL APP
1	BR	-	04.04.11	IH	NH	-	-
2	BR	Additional Information Shown	20.02.13	BR	IH	-	-



- Notes:**
- 1/4-20 UNC-2B & M6 x 1.0 threads provided for external ground connection.
  - Slip Ring is suitable for dry use only. For wet or submersed applications please contact the office.
  - Pass 1 (Bond) connection to chassis each end
  - Slip ring is CSA certified Class 1, Group C & D locations. KEMA Certified CE Ex II 2 G EEx d IIB T5 in accordance with Atex Directive 94/9/EC
  - Minimum bend radius: 90mm
  - All dimensions in mm

2

TABLE				
Pass	Wire Type	Pitch	Volts	Amps
1	18 AWG Green	.250	Bond	4
2	18 AWG Black	.250	150	4
3	18 AWG White	.250	150	4
4	Dead Ring	.250		

This drawing is copyright© and is the property of Blue Manta International, and must not be reproduced or used without the express permission of Blue Manta International.		General tolerances UNO Steel fabrications: ± 3.00mm Machining: ± 0.25mm Concentric: ± 0.05mm Angular: ± 0.05mm		Machined corner rads. Inside: ± 0.50mm UNO Outside: ± 0.65mm UNO	
Description: 180-X Electrical Slip Ring				 Third angle projection	
Part no: 02-ESR1		Drawing No: BMD-600.S			
Client: Blue Manta		Scale: NTS @ A4			